

ELECTORAL ROLL 2024 S05 Goa



No. Name and Reservation Status of Assembly Constituency : 40 - CANACONA (GEN)	Part No. : 7
--	--------------

No. Name and Reservation Status of Parliamentary Constituency(ies) in which the Assembly Constituency is located : 2 - SOUTH GOA (GEN)
--

1. Details of Revision									
<table style="width: 100%; border-collapse: collapse;"> <tr> <td style="padding: 2px 5px;">Year of Revision</td> <td style="padding: 2px 5px;">2024</td> </tr> <tr> <td style="padding: 2px 5px;">Qualifying Date</td> <td style="padding: 2px 5px;">01-04-2024</td> </tr> <tr> <td style="padding: 2px 5px;">Type of revision</td> <td style="padding: 2px 5px;">Continous Updation (Quarter 2) 2024</td> </tr> <tr> <td style="padding: 2px 5px;">Date of Updation</td> <td style="padding: 2px 5px;">19-04-2024</td> </tr> </table>	Year of Revision	2024	Qualifying Date	01-04-2024	Type of revision	Continous Updation (Quarter 2) 2024	Date of Updation	19-04-2024	<p style="text-align: center;">Roll Identification</p> <p style="text-align: center;">Final Roll of Special Summary Revision 2024 published on 05-01-2024 integrated with Additions, Deletions and Modifications carried out during Continuous Updation 2024 upto 19-04-2024.</p>
Year of Revision	2024								
Qualifying Date	01-04-2024								
Type of revision	Continous Updation (Quarter 2) 2024								
Date of Updation	19-04-2024								

2. Details of part and polling area															
<p>No. and name of sections in the part</p> <p>1-Near Church, Chaudi 2-Near Govt. Primary Health Centre, Sheller</p>	<table style="width: 100%; border-collapse: collapse;"> <tr> <td style="padding: 2px 5px;">Main Town or Village</td> <td style="padding: 2px 5px;">: CANACONA</td> </tr> <tr> <td style="padding: 2px 5px;">Post Office</td> <td style="padding: 2px 5px;">: CANACONA</td> </tr> <tr> <td style="padding: 2px 5px;">Police Station</td> <td style="padding: 2px 5px;">: CANACONA</td> </tr> <tr> <td style="padding: 2px 5px;">Block</td> <td style="padding: 2px 5px;">: CANACONA</td> </tr> <tr> <td style="padding: 2px 5px;">Subdivision</td> <td style="padding: 2px 5px;">: CANACONA</td> </tr> <tr> <td style="padding: 2px 5px;">District</td> <td style="padding: 2px 5px;">: SOUTH GOA</td> </tr> <tr> <td style="padding: 2px 5px;">Pin code</td> <td style="padding: 2px 5px;">: 403702</td> </tr> </table>	Main Town or Village	: CANACONA	Post Office	: CANACONA	Police Station	: CANACONA	Block	: CANACONA	Subdivision	: CANACONA	District	: SOUTH GOA	Pin code	: 403702
Main Town or Village	: CANACONA														
Post Office	: CANACONA														
Police Station	: CANACONA														
Block	: CANACONA														
Subdivision	: CANACONA														
District	: SOUTH GOA														
Pin code	: 403702														

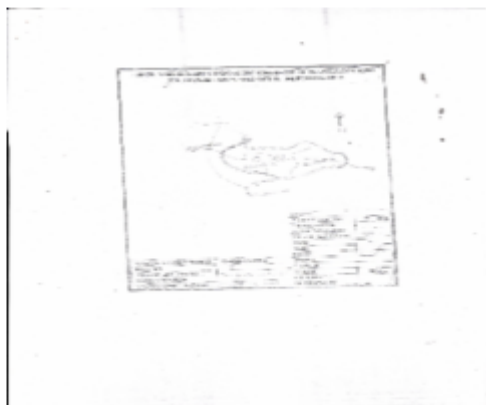
3. Polling station details		
<p>No. and Name of Polling Station :</p> <p>7 - Govt. Primary School Bldg., Chaudi</p> <p>Address of Polling Station :</p> <p>Govt. Primary School Bldg., Chaudi</p>	<p style="text-align: center;">Type of Polling Station (Male/Female/General)</p> <p style="text-align: center;">General</p>	
	<p style="text-align: center;">Number of Auxiliary Polling Stations in this part :</p> <p style="text-align: center;">0</p>	

4. NUMBER OF ELECTORS					
Starting Serial No.	Ending Serial No.	Net Electors			
		Male	Female	Third Gender	Total
1	904	420	452	0	872

Signature of Electoral Registration Officer



Nazri Naksha



Google Map View



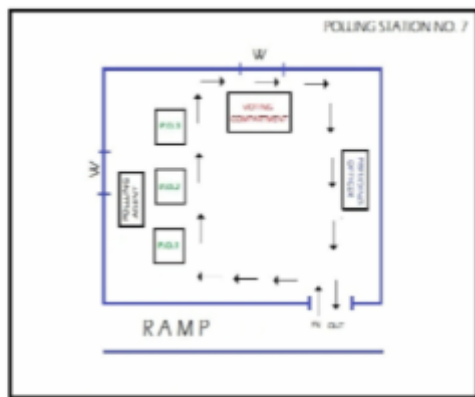
Polling Station Building Front View



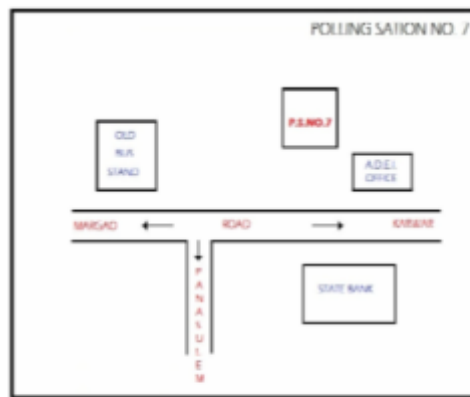
Polling Station Front View



Cad View



Key MAP View





<p>R2 1</p> <p>Name : Manuel Antonio Francisco Fernandes Fathers Name: Andre Fernandes House Number : Age : 77 Gender : Male</p> <p>YDX0202994</p> <p>Photo Available</p>	<p>2</p> <p>Name : Abdul Wasim Khan Fathers Name: Abdul Wahid Khan House Number : - Age : 28 Gender : Male</p> <p>YDX0386094</p> <p>Photo Available</p>	<p>3</p> <p>Name : Sitaram Bhat Fathers Name: Nagesh Bhat House Number : (B5) Age : 61 Gender : Male</p> <p>BTZ1690957</p> <p>Photo Available</p>
<p>4</p> <p>Name : Smita Bhat Husbands Name: Sitaram Bhat House Number : (B5) Age : 55 Gender : Female</p> <p>BTZ1690940</p> <p>Photo Available</p>	<p>5</p> <p>Name : Raksha Suprasad Bhat Husbands Name: Suprasad Bhat House Number : #B-05, 2 nd Floor Age : 29 Gender : Female</p> <p>IKF2612471</p> <p>Photo Available</p>	<p>6</p> <p>Name : Shashikala Naik Dessai Husbands Name: Premanand Naik Dessai House Number : 1 Age : 74 Gender : Female</p> <p>BTZ5460605</p> <p>Photo Available</p>
<p>7</p> <p>Name : Raj Naik Dessai Fathers Name: Premanand Naik Dessai House Number : 1 Age : 48 Gender : Male</p> <p>YDX0346759</p> <p>Photo Available</p>	<p>8</p> <p>Name : Aliston Eusebio Fernandes Fathers Name: Agnelo Fernandes House Number : 1/2 Age : 20 Gender : Male</p> <p>YDX0502542</p> <p>Photo Available</p>	<p>9</p> <p>Name : Lisardina Pereira Husbands Name: Agnelo Fernandes House Number : 1/2 Age : 53 Gender : Female</p> <p>BTZ5459169</p> <p>Photo Available</p>
<p>10</p> <p>Name : Suraj Gurudas Dessai Fathers Name: Gurudas Dessai House Number : 2 Age : 42 Gender : Male</p> <p>BTZ1690510</p> <p>Photo Available</p>	<p>11</p> <p>Name : Sarvesh Dessai Fathers Name: Gurudas Dessai House Number : 2 Age : 39 Gender : Male</p> <p>BTZ1221290</p> <p>Photo Available</p>	<p>12</p> <p>Name : Shriti Naik Dessai Husbands Name: Srikant Naik Dessai House Number : 2 Age : 64 Gender : Female</p> <p>YDX0180679</p> <p>Photo Available</p>
<p>13</p> <p>Name : Sritesh Naik Dessai Fathers Name: Shrikant Dessai House Number : 2 Age : 33 Gender : Male</p> <p>YDX0322024</p> <p>Photo Available</p>	<p>14</p> <p>Name : Angelo Maximo Ignacio Barreto Fathers Name: John Barreto House Number : 2/18 Age : 41 Gender : Male</p> <p>YDX0368522</p> <p>Photo Available</p>	<p>15</p> <p>Name : Shashank Vernekar Fathers Name: Atmanand Vernekar House Number : 2/23 Age : 22 Gender : Male</p> <p>YDX0427567</p> <p>Photo Available</p>
<p>16</p> <p>Name : Shreya Vernekar Fathers Name: Atmanand Vernekar House Number : 2/23, Age : 26 Gender : Female</p> <p>YDX0402669</p> <p>Photo Available</p>	<p>17</p> <p>Name : Geeta Sangelkar Husbands Name: Hatish Sangelkar House Number : 2/29 Age : 42 Gender : Female</p> <p>YDX0387241</p> <p>Photo Available</p>	<p>18</p> <p>Name : Melita Dias Husbands Name: Allwyn De Souza House Number : 2/178 Age : 28 Gender : Female</p> <p>RNM0263871</p> <p>Photo Available</p>
<p>19</p> <p>Name : Prakash Naik Fathers Name: Shashikant Naik House Number : 2/194 Age : 47 Gender : Male</p> <p>YDX0290254</p> <p>Photo Available</p>	<p>20</p> <p>Name : Raneefa Claudia Fernandes Husbands Name: Fredy John Barretto House Number : 2/216 Age : 32 Gender : Female</p> <p>YDX0324996</p> <p>Photo Available</p>	<p># 21</p> <p>Name : Avil Francis Veigas Fathers Name: Valerian Veigas House Number : 2/171/1 Age : 31 Gender : Male</p> <p>YDX0357665</p> <p>Photo Available</p>
<p>22</p> <p>Name : Lincoln Gandhi Veigas Fathers Name: Florin Veigas House Number : 2/171/1 Age : 24 Gender : Male</p> <p>YDX0413450</p> <p>Photo Available</p>	<p>23</p> <p>Name : Trusha Gandhi Fathers Name: Shashikant Gandhi House Number : 2/199/5 Age : 50 Gender : Female</p> <p>YDX0371773</p> <p>Photo Available</p>	<p>24</p> <p>Name : Shubhada Vishwanath Vernekar Fathers Name: Vishwanath Shrikant Vernekar House Number : 2/263/4 Age : 20 Gender : Female</p> <p>YDX0502492</p> <p>Photo Available</p>
<p>25</p> <p>Name : Bhagyashree Raikar Fathers Name: Somnath Raikar House Number : 2/91/C Age : 31 Gender : Female</p> <p>YDX0353953</p> <p>Photo Available</p>	<p>26</p> <p>Name : Geraldo Fernandes Fathers Name: Egidio Fernandes House Number : 2/157/2(8) Age : 58 Gender : Male</p> <p>YDX0303933</p> <p>Photo Available</p>	<p>27</p> <p>Name : Ramchandra Shinde Fathers Name: Bhairu Shinde House Number : 2/182/A Age : 64 Gender : Male</p> <p>BTZ1690346</p> <p>Photo Available</p>
<p>28</p> <p>Name : Vijay Shinde Fathers Name: Ramachandra Shinde House Number : 2/182/A Age : 32 Gender : Male</p> <p>YDX0322214</p> <p>Photo Available</p>	<p>29</p> <p>Name : Santosh Desai Fathers Name: Shankar Desai House Number : 2/183/A Age : 59 Gender : Male</p> <p>BTZ5460803</p> <p>Photo Available</p>	<p>30</p> <p>Name : Shilpa Desai Husbands Name: Santosh Desai House Number : 2/183/A Age : 56 Gender : Female</p> <p>BTZ5460795</p> <p>Photo Available</p>



31 Name : Satyam Desai Fathers Name: Santosh Desai House Number : 2/183/A Age : 27 Gender : Male	YDX0393504 Photo Available	32 Name : Sudesh Naik Fathers Name: Narcinva Naik House Number : 2/172/D-1 Age : 58 Gender : Male	YDX0491134 Photo Available	33 Name : Swati Naik Husbands Name: Sudesh Naik House Number : 2/172/D-1 Age : 54 Gender : Female	LJN1485069 Photo Available
34 Name : Arya Naik Fathers Name: Sudesh Naik House Number : 2/172/D-1 Age : 20 Gender : Male	YDX0502518 Photo Available	35 Name : Savio Cecil Pereira Fathers Name: Francisco Pereira House Number : 2/172/T-3 Age : 47 Gender : Male	FDW0375105 Photo Available	36 Name : Ulhas Parwar Fathers Name: Krishna Parwar House Number : 2/224/BT3 Age : 46 Gender : Male	FDW0147330 Photo Available
37 Name : Sheetal Parwar Husbands Name: Ulhas Parwar House Number : 2/224/BT3 Age : 41 Gender : Female	YDX0381210 Photo Available	38 Name : Shekhar Adbal Fathers Name: Krishna Adbal House Number : 2/172/F1(F2) Age : 34 Gender : Male	JGZ4253910 Photo Available	39 Name : Heston Corto Fathers Name: Cajetan Corto House Number : 3 Age : 32 Gender : Male	YDX0324871 Photo Available
40 Name : Roshal Corto Fathers Name: Cajetan Corto House Number : 3 Age : 29 Gender : Male	YDX0387498 Photo Available	41 Name : Balkrishna Naik Gaonkar Fathers Name: Shivram Naik Gaonkar House Number : 3 Age : 83 Gender : Male	BTZ5471560 Photo Available	42 Name : Shivram Naik Gaonkar Fathers Name: Balkrishna Naik Gaonkar House Number : 3 Age : 56 Gender : Male	URX0225615 Photo Available
43 Name : Shivani Naik Gaonkar Fathers Name: Shivram Naik Gaonkar House Number : 3 Age : 25 Gender : Female	YDX0407478 Photo Available	44 Name : Prasad Sail Fathers Name: Purushottam Sail House Number : 3 Age : 38 Gender : Male	BTZ5462478 Photo Available	45 Name : Krupesh Dessai Fathers Name: Ulhas Dessai House Number : 3/A Age : 42 Gender : Male	YDX0179721 Photo Available
46 Name : Navnita Dessai Alias Naik Gauncar Husbands Name: Ulhas Dessai Alias Naik Gauncar House Number : 3/A Age : 71 Gender : Female	YDX0436204 Photo Available	S 47 Name : Gajanan Naik Fathers Name: Nagesh Naik House Number : 3/A Age : 44 Gender : Male	BTZ5462718 Photo Available	48 Name : Uday Naik Desai Fathers Name: Uttam Naik Desai House Number : 04 Age : 69 Gender : Male	YDX0378240 Photo Available
49 Name : Milan Shiva Dessai Fathers Name: Shiva Dessai House Number : 5 Age : 60 Gender : Female	BTZ1691179 Photo Available	E2 50 Name : Vassudev Shiva Dessai Fathers Name: Shiva Dessai House Number : 5 Age : 65 Gender : Male	YDX0288951 Photo Available	51 Name : Manjini Vassudev Dessai Husbands Name: Vassudev Dessai House Number : 5 Age : 60 Gender : Female	YDX0288969 Photo Available
52 Name : Manjeeta Dessai Fathers Name: Mohan Dessai House Number : 5 Age : 29 Gender : Female	YDX0374769 Photo Available	53 Name : Anthony Jose Fernandes Fathers Name: Jose M. Fernandes House Number : 5 Age : 51 Gender : Male	BTZ1840651 Photo Available	54 Name : Netha Desilja Fernandes Husbands Name: Anthony J. Fernandes House Number : 5 Age : 49 Gender : Female	BTZ5460969 Photo Available
55 Name : Umesh Laxman Dessai Fathers Name: Laxman Dessai House Number : 5/1 Age : 75 Gender : Male	BTZ5461843 Photo Available	56 Name : Uttakarsha Dessai Husbands Name: Umesh Dessai House Number : 5/1 Age : 70 Gender : Female	BTZ5463351 Photo Available	57 Name : Anjesh Umesh Dessai Fathers Name: Umesh Dessai House Number : 5/1 Age : 44 Gender : Male	BTZ5477732 Photo Available
58 Name : Swapna Sen Husbands Name: Samrat Sen House Number : 5-1b Age : 44 Gender : Female	YDX0400150 Photo Available	59 Name : Usha Menon Husbands Name: Sukumaran Menon House Number : 6 Age : 51 Gender : Female	YDX0358432 Photo Available	60 Name : Suhesh Sukumaran Menon Fathers Name: Sukumaran Menon House Number : 6 Age : 26 Gender : Male	YDX0400135 Photo Available



<p>61</p> <p>Name : Sudhin Menon Fathers Name: Sukumaran Menon House Number : 6 Age : 23 Gender : Male</p> <p>Photo Available</p>	<p>YDX0423723</p>	<p>62</p> <p>Name : Felomena Dreema D'Souza Fathers Name: Caracial D'Souza House Number : 07 Age : 33 Gender : Female</p> <p>Photo Available</p>	<p>YDX0338368</p>	<p>63</p> <p>Name : Myron Shane Soares Fathers Name: Mariano Soares House Number : 07 Age : 20 Gender : Male</p> <p>Photo Available</p>	<p>YDX0507905</p>
<p>64</p> <p>Name : Greta Fernandes Husbands Name: Samuel Valeriana Gracias House Number : 7 Age : 38 Gender : Female</p> <p>Photo Available</p>	<p>YDX0358457</p>	<p>65</p> <p>Name : Silverinda Gomes Husbands Name: Serafiao Fermio Gracias House Number : 7 Age : 71 Gender : Female</p> <p>Photo Available</p>	<p>YDX0436188</p>	<p>66</p> <p>Name : Serafiao Fermio Gracias Fathers Name: Joao Florino Gracias House Number : 7 Age : 75 Gender : Male</p> <p>Photo Available</p>	<p>YDX0289181</p>
<p>67</p> <p>Name : Sharon A. Gracias Fathers Name: Serafino Fe. Gracias House Number : 7 Age : 47 Gender : Female</p> <p>Photo Available</p>	<p>YDX0395889</p>	<p>68</p> <p>Name : Samuel Valeriana Gracias Fathers Name: Serafiao Fermio Gracias House Number : 7 Age : 43 Gender : Male</p> <p>Photo Available</p>	<p>BTZ1690825</p>	<p>69</p> <p>Name : Seloyd Gracias Fathers Name: Fermiano Gracias House Number : 7 Age : 37 Gender : Male</p> <p>Photo Available</p>	<p>BTZ5461975</p>
<p>70</p> <p>Name : Sena Fernandes Husbands Name: Mateus Alberto Silva House Number : 8 Age : 54 Gender : Female</p> <p>Photo Available</p>	<p>YDX0289447</p>	<p>71</p> <p>Name : Mateus Alberto Silva Fathers Name: Batista Silva House Number : 8 Age : 62 Gender : Male</p> <p>Photo Available</p>	<p>YDX0289439</p>	<p>72</p> <p>Name : Nakiya Silva Fathers Name: Mateus Alberto Silva House Number : 8 Age : 30 Gender : Female</p> <p>Photo Available</p>	<p>YDX0374744</p>
<p>73</p> <p>Name : Naomi Silva Fathers Name: Mateus Alberto Silva House Number : 8 Age : 27 Gender : Female</p> <p>Photo Available</p>	<p>YDX0401521</p>	<p>S 74</p> <p>Name : Prakash Joseph Marthi Fathers Name: Joseph Marthi House Number : 8/A Age : 49 Gender : Male</p> <p>Photo Available</p>	<p>BTZ5162250</p>	<p>75</p> <p>Name : Luisa Bernardo Gracias Husbands Name: Bernardo Gracias House Number : 9 Age : 75 Gender : Female</p> <p>Photo Available</p>	<p>BTZ0000232</p>
<p>76</p> <p>Name : Hemant Pavel Gracias Fathers Name: Bernado Normando Gracias House Number : 9 Age : 51 Gender : Male</p> <p>Photo Available</p>	<p>YDX0436105</p>	<p>77</p> <p>Name : Chanda Gracias Husbands Name: Hemant Gracias House Number : 9 Age : 49 Gender : Female</p> <p>Photo Available</p>	<p>BTZ0000182</p>	<p>78</p> <p>Name : Richa Dikshya Gracias Fathers Name: Hemant Pavel Gracias House Number : 9 Age : 27 Gender : Female</p> <p>Photo Available</p>	<p>YDX0393439</p>
<p>79</p> <p>Name : Rhea Gracias Fathers Name: Hemant Pavel Gracias House Number : 9 Age : 24 Gender : Female</p> <p>Photo Available</p>	<p>YDX0417469</p>	<p>80</p> <p>Name : Rosy Ditosa Alvares E Gracias Husbands Name: Sigmund Gerald Socorro Gracias House Number : 9 B/C Age : 54 Gender : Female</p> <p>Photo Available</p>	<p>YDX0507921</p>	<p>81</p> <p>Name : Sigmund Gerald Socorro Gracias Fathers Name: Manuel Salvador Gracias House Number : 9 B/C Age : 49 Gender : Male</p> <p>Photo Available</p>	<p>YDX0507939</p>
<p>82</p> <p>Name : Manuel Salvador Gracias Fathers Name: Salvador Gracias House Number : 9/B Age : 78 Gender : Male</p> <p>Photo Available</p>	<p>YDX0436097</p>	<p>83</p> <p>Name : Belmira Filomen Gracias Husbands Name: Manuel Gracias House Number : 9/B Age : 76 Gender : Female</p> <p>Photo Available</p>	<p>YDX0436089</p>	<p>84</p> <p>Name : Richmund Valerian Gracias Fathers Name: Manuel Salvador Gracias House Number : 9/B Age : 44 Gender : Male</p> <p>Photo Available</p>	<p>BTZ0138164</p>
<p>85</p> <p>Name : Joydon Franco Gracias Fathers Name: Manuel Gracias House Number : 9/B Age : 42 Gender : Male</p> <p>Photo Available</p>	<p>BTZ0138214</p>	<p>86</p> <p>Name : Siroasia Anne Gracias Fathers Name: Sigmund Gerald Socorro Gracias House Number : 9B/C Age : 19 Gender : Female</p> <p>Photo Available</p>	<p>YDX0511758</p>	<p>87</p> <p>Name : Ancessao Loyola D'Silva Husbands Name: Salvador Cirilo Gracias House Number : 9/D Age : 48 Gender : Female</p> <p>Photo Available</p>	<p>BTZ5461710</p>
<p>88</p> <p>Name : Cindrella Fernandes Husbands Name: Sydney Gracias House Number : 9/D Age : 42 Gender : Female</p> <p>Photo Available</p>	<p>BTZ5461702</p>	<p>89</p> <p>Name : Napoliao Vitorio Gracias Fathers Name: Salvador Gracias House Number : 9/D Age : 83 Gender : Male</p> <p>Photo Available</p>	<p>BTZ0138289</p>	<p>90</p> <p>Name : Juliana Gracias Husbands Name: Napoleon Gracias House Number : 9/D Age : 79 Gender : Female</p> <p>Photo Available</p>	<p>YDX0436071</p>



<p>91</p> <p>Name : Salvador Cirilo Gracias Fathers Name: Napoleao Vitorio Gracias House Number : 9/D Age : 55 Gender : Male</p> <p>Photo Available</p>	<p>YDX0289033</p>	<p>92</p> <p>Name : Sydney Gracias Fathers Name: Napoleao Gracias House Number : 9/D Age : 51 Gender : Male</p> <p>Photo Available</p>	<p>BTZ5471958</p>	<p>93</p> <p>Name : Nalita Gracias Husbands Name: Selborne Gracias House Number : 9/D Age : 53 Gender : Female</p> <p>Photo Available</p>	<p>YDX0289199</p>
<p>94</p> <p>Name : Selborne Gracias Fathers Name: Napoleon Gracias House Number : 9/D Age : 48 Gender : Male</p> <p>Photo Available</p>	<p>YDX0289413</p>	<p>95</p> <p>Name : Piedsde Gracias Husbands Name: Aneurin Pereira House Number : 10 Age : 62 Gender : Female</p> <p>Photo Available</p>	<p>YDX0435958</p>	<p>96</p> <p>Name : Aneurin Joseph Pereira Fathers Name: Joseph Pereira House Number : 10 Age : 68 Gender : Male</p> <p>Photo Available</p>	<p>YDX0435966</p>
<p>97</p> <p>Name : Lennon Pereira Fathers Name: Aneurin Pereira House Number : 10 Age : 33 Gender : Male</p> <p>Photo Available</p>	<p>YDX0331157</p>	<p>98</p> <p>Name : Merryly Alary Pereira Fathers Name: Aneurin Calvin Pereira House Number : 10 Age : 30 Gender : Female</p> <p>Photo Available</p>	<p>YDX0371880</p>	<p>99</p> <p>Name : Anand Gracias Fathers Name: Leao Gracias House Number : 11 Age : 51 Gender : Male</p> <p>Photo Available</p>	<p>YDX0285767</p>
<p>100</p> <p>Name : Isito Miguel Jhon Gracias Fathers Name: Isidoro Hermogenes Gracias House Number : 11/A Age : 57 Gender : Male</p> <p>Photo Available</p>	<p>YDX0435941</p>	<p>101</p> <p>Name : Vassalo Carvalho Fathers Name: Bonifacio Carvalho House Number : 12 Age : 56 Gender : Male</p> <p>Photo Available</p>	<p>BTZ5163126</p>	<p>102</p> <p>Name : Elyc Coutinho Husbands Name: Isito Gracias House Number : 12 Age : 49 Gender : Female</p> <p>Photo Available</p>	<p>DZX1660133</p>
<p>103</p> <p>Name : Herma J. Gracias Husbands Name: Isidora Gracias House Number : 12 Age : 54 Gender : Female</p> <p>Photo Available</p>	<p>YDX0347575</p>	<p>104</p> <p>Name : Serrafina Alba Gracias Fathers Name: Isidoro Gracias House Number : 12 Age : 51 Gender : Female</p> <p>Photo Available</p>	<p>YDX0435933</p>	<p>105</p> <p>Name : Benisha Gracias Fathers Name: Isidoro Hermogenes Gracias House Number : 12 Age : 43 Gender : Female</p> <p>Photo Available</p>	<p>YDX0435925</p>
<p>106</p> <p>Name : Eldrich Vincent Hermogenes Gracias Fathers Name: Isito Miguel John Gracias House Number : 12 Age : 19 Gender : Male</p> <p>Photo Available</p>	<p>YDX0508143</p>	<p>E 107</p> <p>Name : Benjamin Jeronimo Alexinho Gracias Fathers Name: Antonio Francisco Gracias House Number : 12/A Age : 75 Gender : Male</p> <p>Photo Available</p>	<p>BTZ5460068</p>	<p>108</p> <p>Name : F. A. Socorro Gracias Fathers Name: Alexander Gracias House Number : 12/A Age : 48 Gender : Male</p> <p>Photo Available</p>	<p>YDX0285908</p>
<p>109</p> <p>Name : Sarita Gracias Fathers Name: Alexander Gracias House Number : 12/A Age : 47 Gender : Female</p> <p>Photo Available</p>	<p>YDX0288944</p>	<p>110</p> <p>Name : Terezinha Filomena B. M. Martins Husbands Name: Alexander Gracias House Number : 12/A Age : 75 Gender : Female</p> <p>Photo Available</p>	<p>YDX0288993</p>	<p>111</p> <p>Name : Nevita Brenda Barrettoe Gracias Husbands Name: Clive Hanson Gracias House Number : 13/A Age : 47 Gender : Female</p> <p>Photo Available</p>	<p>BTZ5477013</p>
<p>112</p> <p>Name : Jessy A. Gracias Husbands Name: Minguel R. P. Gracias House Number : 13/A Age : 77 Gender : Female</p> <p>Photo Available</p>	<p>YDX0435917</p>	<p>113</p> <p>Name : Clive Hanson Gracias Fathers Name: Minguel R. P. Gracias House Number : 13/A Age : 47 Gender : Male</p> <p>Photo Available</p>	<p>YDX0281816</p>	<p>114</p> <p>Name : Justo Nicodemio Gracias Fathers Name: Rosario Gracias House Number : 13/B Age : 68 Gender : Male</p> <p>Photo Available</p>	<p>BTZ3404035</p>
<p>115</p> <p>Name : Nikita Sonia Gracias Fathers Name: Justo Nicodem Gracias House Number : 13/B Age : 32 Gender : Female</p> <p>Photo Available</p>	<p>YDX0355917</p>	<p>116</p> <p>Name : Nadia Grace Gracias Fathers Name: Justo N. Gracias House Number : 13/B Age : 29 Gender : Female</p> <p>Photo Available</p>	<p>YDX0394395</p>	<p>117</p> <p>Name : Cendra Maria Lija Noronha Husbands Name: Justo Nicodemio Gracias House Number : 13/B Age : 58 Gender : Female</p> <p>Photo Available</p>	<p>YDX0435909</p>
<p>118</p> <p>Name : Bonifacio Jose Rafael Gracias Fathers Name: Rosario Gracias House Number : 13/C Age : 75 Gender : Male</p> <p>Photo Available</p>	<p>BTZ5477831</p>	<p>119</p> <p>Name : Glenda K. Rafael Gracias Fathers Name: Rafael Gracias House Number : 13/C Age : 40 Gender : Female</p> <p>Photo Available</p>	<p>BTZ5473608</p>	<p>120</p> <p>Name : Heroína Coutinho Husbands Name: Caetano Domingos Gracias House Number : 14 Age : 84 Gender : Female</p> <p>Photo Available</p>	<p>YDX0180513</p>



<p>121</p> <p>YDX0350785</p> <p>Name : Tome Levino Gracias Fathers Name: Caetano Domingos Gracias House Number : 14 Age : 66 Gender : Male</p> <p>Photo</p> <p>Available</p>	<p>122</p> <p>BTZ1220144</p> <p>Name : Rita Manuelina Gracias Husbands Name: Levino Gracias House Number : 14 Age : 63 Gender : Female</p> <p>Photo</p> <p>Available</p>	<p>123</p> <p>YDX0331231</p> <p>Name : Milagra Caitan Gracias Fathers Name: Caitan Gracias House Number : 14 Age : 57 Gender : Male</p> <p>Photo</p> <p>Available</p>
<p>124</p> <p>YDX0425900</p> <p>Name : Rovino Charles Martin Gracias Fathers Name: Patricio Martinho Gracias House Number : 15 Age : 61 Gender : Male</p> <p>Photo</p> <p>Available</p>	<p>125</p> <p>BTZ4895702</p> <p>Name : Shelter Adolfo Gracias Fathers Name: Prtrick Martino Gracias House Number : 15 Age : 60 Gender : Male</p> <p>Photo</p> <p>Available</p>	<p>126</p> <p>YDX0435743</p> <p>Name : Jannifer Shelter Gracias Husbands Name: Shelter Gracias House Number : 15 Age : 59 Gender : Female</p> <p>Photo</p> <p>Available</p>
<p>127</p> <p>BTZ5166335</p> <p>Name : Vincy Samson Gracias Husbands Name: Samson Gracias House Number : 15 Age : 58 Gender : Female</p> <p>Photo</p> <p>Available</p>	<p>128</p> <p>YDX0303909</p> <p>Name : Elvis Patrick Gracias Fathers Name: Patrick Gracias House Number : 15 Age : 55 Gender : Male</p> <p>Photo</p> <p>Available</p>	<p>129</p> <p>YDX0352948</p> <p>Name : Alzira Jane Gracias Husbands Name: Elvis Mario Gracias House Number : 15 Age : 53 Gender : Female</p> <p>Photo</p> <p>Available</p>
<p>130</p> <p>YDX0435735</p> <p>Name : Jenita Socorrina Gracias Husbands Name: Reino Charlas Gracias House Number : 15 Age : 51 Gender : Female</p> <p>Photo</p> <p>Available</p>	<p>131</p> <p>YDX0388405</p> <p>Name : Clinton Casius Gracias Fathers Name: Charles R. Gracias House Number : 15 Age : 30 Gender : Male</p> <p>Photo</p> <p>Available</p>	<p>132</p> <p>YDX0394429</p> <p>Name : Pianca Nicole Gracias Fathers Name: Elvis Gracias House Number : 15 Age : 28 Gender : Female</p> <p>Photo</p> <p>Available</p>
<p>133</p> <p>YDX0388306</p> <p>Name : Juella Valanky Gracias Fathers Name: Charles R. Gracias House Number : 15 Age : 28 Gender : Female</p> <p>Photo</p> <p>Available</p>	<p>134</p> <p>YDX0412304</p> <p>Name : Ralph Lauren Gracias Fathers Name: Elvis Mario Gracias House Number : 15 Age : 25 Gender : Male</p> <p>Photo</p> <p>Available</p>	<p>135</p> <p>YDX0403493</p> <p>Name : Valeska Anne Gracias Fathers Name: Samson Lazaro Gracias House Number : 15 Age : 25 Gender : Female</p> <p>Photo</p> <p>Available</p>
<p>136</p> <p>YDX0492462</p> <p>Name : ASHBEL GRACIAS Fathers Name: SHELTER GRACIAS House Number : 15 Age : 21 Gender : Male</p> <p>Photo</p> <p>Available</p>	<p>137</p> <p>YDX0354910</p> <p>Name : Flavina D'silva Husbands Name: Tony Gracias House Number : 15/A Age : 51 Gender : Female</p> <p>Photo</p> <p>Available</p>	<p>138</p> <p>YDX0354431</p> <p>Name : Idalina Gracias Fathers Name: Cleto Gracias House Number : 15/A Age : 72 Gender : Female</p> <p>Photo</p> <p>Available</p>
<p>139</p> <p>YDX0354936</p> <p>Name : Tony Gracias Fathers Name: Cleto Gracias House Number : 15/A Age : 62 Gender : Male</p> <p>Photo</p> <p>Available</p>	<p>140</p> <p>YDX0354928</p> <p>Name : Alfred Idalina Gracias Mothers Name: Idalina Gracias House Number : 15/A Age : 41 Gender : Male</p> <p>Photo</p> <p>Available</p>	<p>141</p> <p>YDX0435636</p> <p>Name : Nitin Anant Kenkre Fathers Name: Anant Kenkre House Number : 17 Age : 61 Gender : Male</p> <p>Photo</p> <p>Available</p>
<p>142</p> <p>BTZ1691013</p> <p>Name : Ranjana Nitin Kenkre Husbands Name: Nitin Kenkre House Number : 17 Age : 57 Gender : Female</p> <p>Photo</p> <p>Available</p>	<p>143</p> <p>BTZ5471750</p> <p>Name : Siddhesh Kenkre Fathers Name: Nitin Kenkre House Number : 17 Age : 35 Gender : Male</p> <p>Photo</p> <p>Available</p>	<p>144</p> <p>YDX0322032</p> <p>Name : Supriya Kenkre Fathers Name: Nitin Kenkre House Number : 17 Age : 32 Gender : Female</p> <p>Photo</p> <p>Available</p>
<p>145</p> <p>YDX0423251</p> <p>Name : Shivu Verma Fathers Name: Bajjanath Verma House Number : 17 Age : 46 Gender : Male</p> <p>Photo</p> <p>Available</p>	<p># 146</p> <p>YDX0288977</p> <p>Name : Purnanand Anant Kenkre Fathers Name: Anant Kenkre House Number : 17/B Age : 47 Gender : Male</p> <p>Photo</p> <p>Available</p>	<p># 147</p> <p>BTZ5474879</p> <p>Name : Reena Purnanand Kenkre Husbands Name: Purnanand Kenkre House Number : 17/B Age : 45 Gender : Female</p> <p>Photo</p> <p>Available</p>
<p>148</p> <p>YDX0435628</p> <p>Name : Dilip Anant Kenkre Fathers Name: Anant Kenkre House Number : 17/C Age : 58 Gender : Male</p> <p>Photo</p> <p>Available</p>	<p>149</p> <p>YDX0435610</p> <p>Name : Jyoti Dilip Kenkre Husbands Name: Dilip Kenkre House Number : 17/C Age : 56 Gender : Female</p> <p>Photo</p> <p>Available</p>	<p>150</p> <p>BTZ1691005</p> <p>Name : Shivashanker Kenkre Fathers Name: Anant Kenkre House Number : 17/D Age : 51 Gender : Male</p> <p>Photo</p> <p>Available</p>



151 Name : Anura Kenkre Husbands Name: Shivshankar Kenkre House Number : 17/D Age : 42 Gender : Female	BTZ1691021 Photo Available	152 Name : Sayuga Kenkre Fathers Name: Shivshankar Kenkre House Number : 17/E Age : 22 Gender : Female	YDX0427633 Photo Available	153 Name : Vinayak Hemu Marathe Fathers Name: Hemu Marathe House Number : 17/E Age : 39 Gender : Male	BTZ5462155 Photo Available
154 Name : Sanjeev Gracias Fathers Name: Alexander Gracias House Number : 17/A1 Age : 43 Gender : Male	YDX0288985 Photo Available	155 Name : Clariza Fernandes Husbands Name: Angelo Maxima Ignacio Barreto House Number : 18 Age : 44 Gender : Female	BTZ5462163 Photo Available	156 Name : Noor Mohamad Sarad Fathers Name: Dayal Sab Sarad House Number : 18 Age : 75 Gender : Male	YDX0410092 Photo Available
157 Name : Khadarbi Sarad Husbands Name: Noor Mohamad Sarad House Number : 18 Age : 74 Gender : Female	YDX0435461 Photo Available	158 Name : Bibi Ayisha Fathers Name: Altaf Saarad House Number : 18/A Age : 31 Gender : Female	YDX0491506 Photo Available	159 Name : Raffi Ahamad Sagar Fathers Name: Noor Mahamand Sagar House Number : 18/A Age : 41 Gender : Male	BTZ1690064 Photo Available
160 Name : Banu Sarad Husbands Name: Najir Sarad House Number : 18/A Age : 51 Gender : Female	BTZ5459417 Photo Available	161 Name : Altaf Sarad Fathers Name: Nurmohmad Sarad House Number : 18/A Age : 43 Gender : Male	BTZ3931763 Photo Available	162 Name : Seema Sarad Husbands Name: Mahaboobsab Sarad House Number : 18/A Age : 39 Gender : Female	YDX0407098 Photo Available
163 Name : Mahaboobsab Sarad Fathers Name: Hassansab Sarad House Number : 18/A Age : 39 Gender : Male	BTZ5458971 Photo Available	164 Name : Sayed Mohamed Jan Sarad Fathers Name: Nazir Ahmed Sarad House Number : 18/A Age : 32 Gender : Male	YDX0322040 Photo Available	165 Name : Sebina Sarad Fathers Name: Nageer Ahamad Sarad House Number : 18/A Age : 30 Gender : Female	YDX0383729 Photo Available
166 Name : Sadik Sarad Fathers Name: Nazir Sarad House Number : 18/A Age : 26 Gender : Male	YDX0398446 Photo Available	167 Name : Govind Komarpant Fathers Name: Babay Komarpant House Number : 19 Age : 68 Gender : Male	YDX0289322 Photo Available	168 Name : Subhash Babay Komarpant Fathers Name: Babay Komarpant House Number : 19 Age : 61 Gender : Male	BTZ1690114 Photo Available
169 Name : Sadanand Komarpant Fathers Name: Babay Komarpant House Number : 19 Age : 57 Gender : Male	YDX0352955 Photo Available	170 Name : Kartika Komarpant Husbands Name: Govind Komarpant House Number : 19 Age : 56 Gender : Female	BTZ0137976 Photo Available	171 Name : Shubhangi Komarpant Husbands Name: Subhash Komarpant House Number : 19 Age : 54 Gender : Female	BTZ5165329 Photo Available
172 Name : Sanjay Komarpant Fathers Name: Babay Komarpant House Number : 19 Age : 54 Gender : Male	YDX0490136 Photo Available	173 Name : Sandeep Komarpant Fathers Name: Babay Komarpant House Number : 19 Age : 50 Gender : Male	BTZ5164181 Photo Available	174 Name : Sahiniti Komarpant Husbands Name: Sadanand Komarpant House Number : 19 Age : 44 Gender : Female	BTZ5462197 Photo Available
175 Name : Abhinadan Komarpant Fathers Name: Govind Komarpant House Number : 19 Age : 32 Gender : Male	YDX0334425 Photo Available	176 Name : Shukla Komarpant Fathers Name: Subhash Komarpant House Number : 19 Age : 27 Gender : Female	YDX0394379 Photo Available	177 Name : Ashanka Komarpant Fathers Name: Govind Komarpant House Number : 19 Age : 25 Gender : Female	YDX0407452 Photo Available
178 Name : Padmini Sangelkar Husbands Name: Harichandra Sangelkar House Number : 20 Age : 59 Gender : Female	BTZ4959292 Photo Available	179 Name : Atish Sangelkar Fathers Name: Harichandra Sangelkar House Number : 20 Age : 44 Gender : Male	BTZ5163829 Photo Available	180 Name : Harshala Sanguelkar Fathers Name: Harichandra Sanguelkar House Number : 20 Age : 47 Gender : Female	BTZ5163837 Photo Available



181 Name : Vasanti Ganachari Husbands Name: Halppa Ganachari House Number : 20/1 Age : 69 Gender : Female	BTZ5459359 Photo Available	182 Name : Pundalik Ganachari Fathers Name: Halppa Ganachari House Number : 20/1 Age : 51 Gender : Male	BTZ5462544 Photo Available	183 Name : Renuka Ganachari Husbands Name: Pundalik Ganachari House Number : 20/1 Age : 48 Gender : Female	BTZ5462536 Photo Available
184 Name : Manjunath Ganachari Fathers Name: Pundalik Ganachari House Number : 20/1 Age : 25 Gender : Male	YDX0417444 Photo Available	185 Name : Sonabai Lamani Husbands Name: Channappa Lamani House Number : 20/2 Age : 74 Gender : Female	YDX0289488 Photo Available	186 Name : Umesh Lamani Fathers Name: Channappa Lamani House Number : 20/2 Age : 48 Gender : Male	BTZ5460654 Photo Available
187 Name : Kelubai Lamani Fathers Name: Channappa Lamani House Number : 20/2 Age : 41 Gender : Female	BTZ5460670 Photo Available	188 Name : Kamala Lamani Husbands Name: Umesh Lamani House Number : 20/2 Age : 41 Gender : Female	BTZ5460662 Photo Available	189 Name : Manjunath Naik Fathers Name: Umesh Naik House Number : 20/2 Age : 22 Gender : Male	YDX0492496 Photo Available
190 Name : Vishwalata Vishwanath Komarpant Husbands Name: Vishwanath Komarpant House Number : 21 Age : 71 Gender : Female	YDX0175083 Photo Available	191 Name : Vishwajit Komarpant Fathers Name: Vishwanath Komarpant House Number : 21 Age : 50 Gender : Male	YDX0435321 Photo Available	192 Name : Krishna Vishwanath Komarpant Fathers Name: Vishwanath Solru Komarpant House Number : 21 Age : 42 Gender : Male	BTZ0000224 Photo Available
193 Name : Saideep Komarpant Fathers Name: Soiru Komarpant House Number : 21/1 Age : 23 Gender : Male	YDX0423715 Photo Available	194 Name : Jayashri Komarpant Husbands Name: Madhukar Komarpant House Number : 21/A Age : 79 Gender : Female	BTZ0138008 Photo Available	# 195 Name : Soiru Komarpant Fathers Name: Madhukar Komarpant House Number : 21/A Age : 56 Gender : Male	YDX0289496 Photo Available
196 Name : Chaya Komarpant Husbands Name: Soiru Komarpant House Number : 21/A Age : 56 Gender : Female	BTZ1690411 Photo Available	197 Name : Sandhya Komarpant Husbands Name: Vishwajit Komarpant House Number : 21/B Age : 46 Gender : Female	BTZ0150573 Photo Available	198 Name : Roshma Komarpant Husbands Name: Krishna Komarpant House Number : 21/B Age : 31 Gender : Female	NZM4277919 Photo Available
199 Name : Shashikant Naik Fathers Name: Uttam Naik House Number : 21/B Age : 67 Gender : Male	YDX0355867 Photo Available	200 Name : Maya Naik Husbands Name: Shashikant Naik House Number : 21/B Age : 61 Gender : Female	YDX0355859 Photo Available	201 Name : Gautam Naik Fathers Name: Shashikant Naik House Number : 21/B Age : 31 Gender : Male	YDX0355875 Photo Available
202 Name : Param Bhanudas Borker Fathers Name: Bhanudas Gopal Borker House Number : 22/2 Age : 20 Gender : Male	YDX0502500 Photo Available	203 Name : Venkatesh Naik Fathers Name: Hanumant Naik House Number : 29/A Age : 41 Gender : Male	YDX0289405 Photo Available	E 204 Name : Narsiv Yashwant Nayak Fathers Name: Yashwant Nayak House Number : 29/A Age : 88 Gender : Male	BTZ5461306 Photo Available
205 Name : Pushpa Nayak Husbands Name: Narsiv Nayak House Number : 29/A Age : 84 Gender : Female	BTZ5461314 Photo Available	206 Name : Maria Ernestina Serafina F. Diniz Alias Gracias Husbands Name: Elton Gracias House Number : 31 Age : 56 Gender : Female	BTZ5471834 Photo Available	207 Name : Xavier Elton Antonio Gracias Fathers Name: Roberto Francisco Carvalho House Number : 31 Age : 63 Gender : Male	BTZ5471826 Photo Available
208 Name : Elnish Xavier Gracias Fathers Name: Xavier Elton Antonio Gracias House Number : 31 Age : 29 Gender : Male	YDX0381152 Photo Available	209 Name : Angelica Joan Gracias Husbands Name: Elito Milagres Gracias House Number : 31/A Age : 60 Gender : Female	BTZ5472303 Photo Available	210 Name : Elito Milagres Gracias Fathers Name: Roberto Francisco Xavier Carvalho House Number : 31/A Age : 60 Gender : Male	YDX0180935 Photo Available



<p>211</p> <p>BTZ1690650</p> <p>Name : Epifania Milagrina Coutinho Husbands Name: Justiniano Gracias House Number : 34 Age : 67 Gender : Female</p> <p>Photo</p> <p>Available</p>	<p>212</p> <p>BTZ5440177</p> <p>Name : Glyna Dias E Gracias Husbands Name: Desmond Gracias House Number : 34 Age : 36 Gender : Female</p> <p>Photo</p> <p>Available</p>	<p>213</p> <p>BTZ1690973</p> <p>Name : Anthony Gracias Fathers Name: Justiniano Gracias House Number : 34 Age : 44 Gender : Male</p> <p>Photo</p> <p>Available</p>
<p>214</p> <p>BTZ5477336</p> <p>Name : Desmond Gracias Fathers Name: Justiano Gracias House Number : 34 Age : 40 Gender : Male</p> <p>Photo</p> <p>Available</p>	<p>215</p> <p>BTZ5461090</p> <p>Name : Sabestiao Gracias Fathers Name: Anton Gracias House Number : 34/A Age : 74 Gender : Male</p> <p>Photo</p> <p>Available</p>	<p>216</p> <p>BTZ1690916</p> <p>Name : Sacramento Sebastiao Gracias Husbands Name: Sabestiao Gracias House Number : 34/A Age : 65 Gender : Female</p> <p>Photo</p> <p>Available</p>
<p>217</p> <p>YDX0378257</p> <p>Name : Melcoim Agnelo Gracias Fathers Name: Sebastiao Gracias House Number : 34/A Age : 31 Gender : Male</p> <p>Photo</p> <p>Available</p>	<p>218</p> <p>YDX0374736</p> <p>Name : Plema Gracias Fathers Name: Sabestiano Gracias House Number : 34/A Age : 30 Gender : Female</p> <p>Photo</p> <p>Available</p>	<p>219</p> <p>BTZ5455175</p> <p>Name : Stara Fernandes Husbands Name: Anthony Gracias House Number : 34/B Age : 40 Gender : Female</p> <p>Photo</p> <p>Available</p>
<p>220</p> <p>YCC0412437</p> <p>Name : Aden Gracias Fathers Name: Sheik Abdu Ahmad House Number : 34/B Age : 40 Gender : Male</p> <p>Photo</p> <p>Available</p>	<p>221</p> <p>BTZ5476494</p> <p>Name : Alzira Gracias Fathers Name: Agnelo Gracias House Number : 34/B Age : 37 Gender : Female</p> <p>Photo</p> <p>Available</p>	<p>222</p> <p>YDX0435305</p> <p>Name : Maria Sebastiana Rodrigues Husbands Name: Agnelo Gracias House Number : 34/B Age : 73 Gender : Female</p> <p>Photo</p> <p>Available</p>
<p>223</p> <p>BTZ5158027</p> <p>Name : Cruz Gracias Fathers Name: Augusto Gracias House Number : 36 Age : 50 Gender : Male</p> <p>Photo</p> <p>Available</p>	<p>224</p> <p>BTZ0138230</p> <p>Name : Francisco Xavier Gracias Fathers Name: Augusto Gracias House Number : 36 Age : 42 Gender : Male</p> <p>Photo</p> <p>Available</p>	<p>225</p> <p>YDX0355909</p> <p>Name : Rocy Rodrigues Husbands Name: Francisco Xavier Gracias House Number : 36 Age : 37 Gender : Female</p> <p>Photo</p> <p>Available</p>
<p>226</p> <p>YDX0491407</p> <p>Name : Batya Clarissa Cardozo Fathers Name: Jesus Nazare Benjamin Mario Cardozo House Number : 36/a Age : 23 Gender : Female</p> <p>Photo</p> <p>Available</p>	<p>227</p> <p>BTZ4895694</p> <p>Name : Silvester Fiorino Gracias Fathers Name: Fiorino Gracias House Number : 36/A Age : 71 Gender : Male</p> <p>Photo</p> <p>Available</p>	<p>228</p> <p>YDX0303917</p> <p>Name : Ronita Gracias Fathers Name: Jose Gracias House Number : 36/A Age : 49 Gender : Female</p> <p>Photo</p> <p>Available</p>
<p>229</p> <p>YDX0487371</p> <p>Name : Estelita Antonio Batista Vas Husbands Name: Jose M. G. D Gracias House Number : 36/A Age : 82 Gender : Female</p> <p>Photo</p> <p>Available</p>	<p>230</p> <p>YDX0170647</p> <p>Name : Ronald Celsus Antick Fathers Name: Alfredo Antick House Number : 38 Age : 39 Gender : Male</p> <p>Photo</p> <p>Available</p>	<p>231</p> <p>YDX0172015</p> <p>Name : Mccartney Antick Fathers Name: Alfred Antick House Number : 38 Age : 35 Gender : Male</p> <p>Photo</p> <p>Available</p>
<p>232</p> <p>YDX0170654</p> <p>Name : Martinha Carvalho Husbands Name: Alfred Antick House Number : 38 Age : 67 Gender : Female</p> <p>Photo</p> <p>Available</p>	<p>233</p> <p>YDX0487363</p> <p>Name : Maya Prabhu Husbands Name: Hari Prabhu House Number : 38/A Age : 80 Gender : Female</p> <p>Photo</p> <p>Available</p>	<p>234</p> <p>YDX0289082</p> <p>Name : Ramchandra Prabhu Fathers Name: Hari Prabhu House Number : 38/A Age : 61 Gender : Male</p> <p>Photo</p> <p>Available</p>
<p>235</p> <p>BTZ1691260</p> <p>Name : Suraj Prabhu Fathers Name: Hari Prabhu House Number : 38/A Age : 49 Gender : Male</p> <p>Photo</p> <p>Available</p>	<p>236</p> <p>YDX0487355</p> <p>Name : Mangaldas Pai Fathers Name: Kashinath Pai House Number : 38/B Age : 83 Gender : Male</p> <p>Photo</p> <p>Available</p>	<p>237</p> <p>YDX0487348</p> <p>Name : Viraj Pai Fathers Name: Mangaldas Pai House Number : 38/B Age : 48 Gender : Male</p> <p>Photo</p> <p>Available</p>
<p>238</p> <p>BTZ1690098</p> <p>Name : Gurudas Alias Vishant Pai Fathers Name: Mangaldas Pai House Number : 38/B Age : 45 Gender : Male</p> <p>Photo</p> <p>Available</p>	<p>239</p> <p>YDX0179614</p> <p>Name : Eulogio Gracias Fathers Name: Silvestro Gracias House Number : 40 Age : 53 Gender : Male</p> <p>Photo</p> <p>Available</p>	<p>240</p> <p>NMT0052761</p> <p>Name : Manvelita Flora Colaco Husbands Name: Stanly Judas Gracias House Number : 46 Age : 46 Gender : Female</p> <p>Photo</p> <p>Available</p>



<p>241</p> <p>Name : Ulhas Komarpant Fathers Name: Anandu Komarpant House Number : 52 Age : 71 Gender : Male</p> <p>Photo</p> <p>Available</p>	<p>YDX0487140</p>	<p>242</p> <p>Name : Ashok Komarpant Fathers Name: Anandu Komarpant House Number : 52 Age : 69 Gender : Male</p> <p>Photo</p> <p>Available</p>	<p>BTZ5162391</p>	<p>243</p> <p>Name : Krishna Komarpant Fathers Name: Anandu Komarpant House Number : 52 Age : 58 Gender : Male</p> <p>Photo</p> <p>Available</p>	<p>BTZ5163233</p>
<p>244</p> <p>Name : Ulka Komarpant Husbands Name: Ulhas Komarpant House Number : 52 Age : 57 Gender : Female</p> <p>Photo</p> <p>Available</p>	<p>YDX0487132</p>	<p>245</p> <p>Name : Sushma Komarpant Husbands Name: Santosh Komarpant House Number : 52 Age : 57 Gender : Female</p> <p>Photo</p> <p>Available</p>	<p>BTZ5162417</p>	<p>246</p> <p>Name : Ashwini Komarpant Husbands Name: Ashok Komarpant House Number : 52 Age : 55 Gender : Female</p> <p>Photo</p> <p>Available</p>	<p>YDX0289173</p>
<p>247</p> <p>Name : Suparna Komarpant Husbands Name: Krishna Komarpant House Number : 52 Age : 53 Gender : Female</p> <p>Photo</p> <p>Available</p>	<p>BTZ5474648</p>	<p>248</p> <p>Name : Priti Komarpant Husbands Name: Pradip Komarpant House Number : 52 Age : 49 Gender : Female</p> <p>Photo</p> <p>Available</p>	<p>BTZ5460852</p>	<p>249</p> <p>Name : Ajit Komarpant Fathers Name: Anandu Komarpant House Number : 52 Age : 49 Gender : Male</p> <p>Photo</p> <p>Available</p>	<p>YDX0487124</p>
<p>S 250</p> <p>Name : Sonakshi Komarpant Fathers Name: Ulhas Komarpant House Number : 52 Age : 33 Gender : Female</p> <p>Photo</p> <p>Available</p>	<p>YDX0296558</p>	<p>251</p> <p>Name : Aman Komarpant Fathers Name: Pradip Komarpant House Number : 52 Age : 25 Gender : Male</p> <p>Photo</p> <p>Available</p>	<p>YDX0412312</p>	<p>252</p> <p>Name : Aryan Komarpant Fathers Name: Ashok Komarpant House Number : 52 Age : 23 Gender : Male</p> <p>Photo</p> <p>Available</p>	<p>YDX0423244</p>
<p>253</p> <p>Name : Suchita Nagarsenkar Husbands Name: Govind Nagarsenkar House Number : 52/1 Age : 72 Gender : Female</p> <p>Photo</p> <p>Available</p>	<p>YDX0180059</p>	<p>254</p> <p>Name : Mallesh Fathers Name: Govind House Number : 52/1 Age : 42 Gender : Male</p> <p>Photo</p> <p>Available</p>	<p>BTZ0137885</p>	<p>255</p> <p>Name : Vishram Komarpant Fathers Name: Ghanshyam Komarpant House Number : 53 Age : 71 Gender : Male</p> <p>Photo</p> <p>Available</p>	<p>YDX0289421</p>
<p>256</p> <p>Name : Vandana Komarpant Husbands Name: Vishram Komarpant House Number : 53 Age : 66 Gender : Female</p> <p>Photo</p> <p>Available</p>	<p>YDX0289371</p>	<p>257</p> <p>Name : Vishal Komarpant Fathers Name: Vishram Komarpant House Number : 53 Age : 43 Gender : Male</p> <p>Photo</p> <p>Available</p>	<p>BTZ1690684</p>	<p>258</p> <p>Name : Viraj Komarpant Fathers Name: Vishram Komarpant House Number : 53 Age : 37 Gender : Male</p> <p>Photo</p> <p>Available</p>	<p>BTZ5463443</p>
<p>259</p> <p>Name : Deepak Naik Fathers Name: Narayan Naik House Number : 53 Age : 43 Gender : Male</p> <p>Photo</p> <p>Available</p>	<p>BTZ5463609</p>	<p>260</p> <p>Name : Jantwi Naik Husbands Name: Jeevan Naik House Number : 53 Age : 42 Gender : Female</p> <p>Photo</p> <p>Available</p>	<p>BTZ3932209</p>	<p>261</p> <p>Name : Jeevan Naik Fathers Name: Narayan Naik House Number : 53 Age : 41 Gender : Male</p> <p>Photo</p> <p>Available</p>	<p>BTZ5469325</p>
<p>262</p> <p>Name : Sumangala Pai Husbands Name: Viraj Pai House Number : 53 (3) Age : 29 Gender : Female</p> <p>Photo</p> <p>Available</p>	<p>ZMQ2505964</p>	<p>263</p> <p>Name : Pushpa Kankonkar Husbands Name: Babuso Kankonkar House Number : 55 Age : 83 Gender : Female</p> <p>Photo</p> <p>Available</p>	<p>YDX0486894</p>	<p>264</p> <p>Name : Dayanand Kankonkar Fathers Name: Babuso Kankonkar House Number : 55 Age : 50 Gender : Male</p> <p>Photo</p> <p>Available</p>	<p>YDX0486886</p>
<p>265</p> <p>Name : Kishor Babusso Kankonkar Fathers Name: Babusso Gaeca House Number : 55 Age : 60 Gender : Male</p> <p>Photo</p> <p>Available</p>	<p>BTZ5162243</p>	<p>266</p> <p>Name : Tulshidas Naik Fathers Name: Suresh Naik House Number : 55 Age : 49 Gender : Male</p> <p>Photo</p> <p>Available</p>	<p>BTZ5476163</p>	<p>267</p> <p>Name : Radha Bhandari Husbands Name: Krishna Bhandari House Number : 58 Age : 68 Gender : Female</p> <p>Photo</p> <p>Available</p>	<p>YDX0486878</p>
<p>268</p> <p>Name : Ramesh Bhandari Fathers Name: Dhonga Bhandari House Number : 58 Age : 57 Gender : Male</p> <p>Photo</p> <p>Available</p>	<p>YDX0289348</p>	<p>269</p> <p>Name : Reshma Bhandari Husbands Name: Ramesh Bhandari House Number : 58 Age : 49 Gender : Female</p> <p>Photo</p> <p>Available</p>	<p>BTZ5463252</p>	<p>270</p> <p>Name : Rahul Bhandari Fathers Name: Ramesh Bhandari House Number : 58 Age : 27 Gender : Male</p> <p>Photo</p> <p>Available</p>	<p>YDX0398453</p>



271	BTZ5459029	Name : Jalaludin Kakanwala Fathers Name: Abdul Kakanwala House Number : 58/1 Age : 61 Gender : Male	Photo Available	272	BTZ5459037	Name : Khurshid Kankonkar Husbands Name: Jalaudin Kankonkar House Number : 58/1 Age : 64 Gender : Female	Photo Available	273	BTZ5459045	Name : Kamarjaha Kankonkar Husbands Name: Jalaudin Kankonkar House Number : 58/1 Age : 49 Gender : Female	Photo Available
274	YDX0401455	Name : Ajmerunnissa Shaikh Fathers Name: Jalaluddin Shaikh House Number : 58/1 Age : 26 Gender : Female	Photo Available	275	YDX0422568	Name : Muskan Shaikh Fathers Name: Jalaluddin Shaikh House Number : 58/1 Age : 23 Gender : Female	Photo Available	276	YDX0407486	Name : Meherunnisa Shehnaz Fathers Name: Jalaluddin Shehnaz House Number : 58/1 Age : 25 Gender : Female	Photo Available
277	BTZ5463229	Name : Ashok Padwalkar Fathers Name: Kust Padwalkar House Number : 58/A Age : 59 Gender : Male	Photo Available	278	YDX0289330	Name : Aswini Padwalkar Husbands Name: Ashok Padwalkar House Number : 58/A Age : 59 Gender : Female	Photo Available	279	YDX0203059	Name : Rina Komarpant Husbands Name: Ajit Komarpant House Number : 60 Age : 43 Gender : Female	Photo Available
280	YDX0396770	Name : Aditya Komarpant Fathers Name: Ashok Komarpant House Number : 60 Age : 26 Gender : Male	Photo Available	281	YDX0418327	Name : Chris Komarpant Fathers Name: Krishna Komarpant House Number : 60 Age : 25 Gender : Male	Photo Available	282	YDX0496307	Name : PRAJACTA KOMARPANT Fathers Name: PRADIP KOMARPANT House Number : 60 Age : 22 Gender : Female	Photo Available
283	BTZ5472519	Name : Vandita Komarpant Husbands Name: Viraj Komarpant House Number : 61 Age : 37 Gender : Female	Photo Available	#2 284	YDX0334458	Name : Vijay Komarpant Fathers Name: Vishram Komarpant House Number : 61 Age : 35 Gender : Male	Photo Available	285	YDX0392266	Name : Vishaka Komarpant Husbands Name: Vishal Komarpant House Number : 61 Age : 32 Gender : Female	Photo Available
286	YDX0417667	Name : Vinita Komarpant Husbands Name: Vijay Komarpant House Number : 61 Age : 27 Gender : Female	Photo Available	287	YDX0358382	Name : Siddhi Nagarsenkar Husbands Name: Mallesh Nagarsenkar House Number : 61/A Age : 34 Gender : Female	Photo Available	288	YDX0174219	Name : Shankar Naik Fathers Name: Vinayak Naik House Number : 62 Age : 55 Gender : Male	Photo Available
289	BTZ0138198	Name : Ramkrishna Naik Fathers Name: Vinayak Naik House Number : 62 Age : 54 Gender : Male	Photo Available	290	BTZ5460027	Name : Gauravi Naik Husbands Name: Ramkrishna Naik House Number : 62 Age : 49 Gender : Female	Photo Available	291	BTZ5460035	Name : Gopika Naik Husbands Name: Shankar Naik House Number : 62 Age : 48 Gender : Female	Photo Available
292	YDX0176206	Name : Sunanda Vernekar Husbands Name: Shrikant Vernekar House Number : 70 Age : 79 Gender : Female	Photo Available	293	BTZ5162581	Name : Vishwanath Vernekar Fathers Name: Shrikant Vernekar House Number : 70 Age : 59 Gender : Male	Photo Available	294	BTZ5162599	Name : Rupa Vernekar Husbands Name: Vishwanath Vernekar House Number : 70 Age : 52 Gender : Female	Photo Available
295	YDX0285452	Name : Pushpa Setigar Husbands Name: Gopal Setigar House Number : 71 Age : 74 Gender : Female	Photo Available	296	BTZ5459201	Name : Dayanand Setigar Fathers Name: Gopal Setigar House Number : 71 Age : 54 Gender : Male	Photo Available	297	BTZ1690536	Name : Nagaraj Setigar Fathers Name: Gopal Setigar House Number : 71 Age : 49 Gender : Male	Photo Available
298	BTZ1690585	Name : Jaishree Setigar Husbands Name: Nagraj Setigar House Number : 71 Age : 44 Gender : Female	Photo Available	S 299	YDX0289504	Name : Prema Anavekar Fathers Name: Dayanand Anavekar House Number : 79 Age : 55 Gender : Female	Photo Available	S 300	BTZ5460282	Name : Kumar Raykar Fathers Name: Nagaraj Raykar House Number : 79 Age : 50 Gender : Male	Photo Available



<p>301</p> <p>Name : Savitri Vernekar Husbands Name: Mohan Vernekar House Number : 79 Age : 69 Gender : Female</p> <p>Photo Available</p>	<p>YDX0179283</p>	<p>302</p> <p>Name : Minaxi Vernekar Fathers Name: Mohan Vernekar House Number : 79 Age : 49 Gender : Female</p> <p>Photo Available</p>	<p>BTZ1690718</p>	<p>303</p> <p>Name : Bhavana Vernekar Fathers Name: Mohan Vernekar House Number : 79 Age : 38 Gender : Female</p> <p>Photo Available</p>	<p>BTZ5477120</p>
<p>304</p> <p>Name : Pravin Mohan Vernekar Fathers Name: Mohan Vernekar House Number : 79 Age : 33 Gender : Male</p> <p>Photo Available</p>	<p>YDX0346767</p>	<p>305</p> <p>Name : Laxmi Vernekar Husbands Name: Narayan Vernekar House Number : 79/A Age : 78 Gender : Female</p> <p>Photo Available</p>	<p>BTZ5157839</p>	<p>306</p> <p>Name : Atmanand Vernekar Fathers Name: Narayan Vernekar House Number : 79/A Age : 55 Gender : Male</p> <p>Photo Available</p>	<p>BTZ5157755</p>
<p>307</p> <p>Name : Shailesh Vernekar Fathers Name: Narayan Vernekar House Number : 79/A Age : 53 Gender : Male</p> <p>Photo Available</p>	<p>BTZ3401890</p>	<p>308</p> <p>Name : Nisha Vernekar Husbands Name: Shailesh Vernekar House Number : 79/A Age : 51 Gender : Female</p> <p>Photo Available</p>	<p>BTZ3401882</p>	<p>309</p> <p>Name : Archana Vernekar Husbands Name: Atmanand Vernekar House Number : 79/A Age : 47 Gender : Female</p> <p>Photo Available</p>	<p>BTZ5157821</p>
<p>310</p> <p>Name : Sonika Vernekar Fathers Name: Shailesh Vernekar House Number : 79/A Age : 27 Gender : Female</p> <p>Photo Available</p>	<p>YDX0394437</p>	<p>311</p> <p>Name : Pawan Vernekar Fathers Name: Shailesh Vernekar House Number : 79/a Age : 24 Gender : Male</p> <p>Photo Available</p>	<p>YDX0423764</p>	<p>312</p> <p>Name : Raghuvir Vernekar Fathers Name: Sheshagiri Vernekar House Number : 79/B Age : 75 Gender : Male</p> <p>Photo Available</p>	<p>BTZ5158159</p>
<p>313</p> <p>Name : Rajana Vernekar Husbands Name: Raghuvir Vernekar House Number : 79/B Age : 64 Gender : Female</p> <p>Photo Available</p>	<p>BTZ1690726</p>	<p>314</p> <p>Name : Nagesh Vernekar Fathers Name: Raghuvir Vernekar House Number : 79/B Age : 40 Gender : Male</p> <p>Photo Available</p>	<p>BTZ5460563</p>	<p>315</p> <p>Name : Ramabai Vernekar Husbands Name: Nagesh Vernekar House Number : 79/B Age : 31 Gender : Female</p> <p>Photo Available</p>	<p>YDX0405415</p>
<p>316</p> <p>Name : Prasad Shet Vernekar Fathers Name: Rajaram Vernekar House Number : 81 Age : 38 Gender : Male</p> <p>Photo Available</p>	<p>BTZ5461405</p>	<p>317</p> <p>Name : Prachi Shet Vernekar Husbands Name: Prasad Shet Vernekar House Number : 81 Age : 35 Gender : Female</p> <p>Photo Available</p>	<p>YDX0400606</p>	<p>318</p> <p>Name : Sharada Vernekar Husbands Name: Rajaram Vernekar House Number : 81 Age : 74 Gender : Female</p> <p>Photo Available</p>	<p>BTZ1690692</p>
<p>319</p> <p>Name : Prashant Prabhu Fathers Name: Narayan Prabhu House Number : 85/2 Age : 55 Gender : Male</p> <p>Photo Available</p>	<p>YDX0344390</p>	<p>320</p> <p>Name : Anuja Prabhu Husbands Name: Prashant Prabhu House Number : 85/2 Age : 46 Gender : Female</p> <p>Photo Available</p>	<p>BTZ5463484</p>	<p>321</p> <p>Name : Santosh Sawant Dessai Fathers Name: Putu Sawant Dessai House Number : 85/2 Age : 68 Gender : Male</p> <p>Photo Available</p>	<p>YDX0203083</p>
<p>322</p> <p>Name : Sanija Sawant Dessai Husbands Name: Santosh Sawant Dessai House Number : 85/2 Age : 58 Gender : Female</p> <p>Photo Available</p>	<p>YDX0203109</p>	<p>323</p> <p>Name : Sanraj Sawant Dessai Fathers Name: Santosh Sawant Dessai House Number : 85/2 Age : 30 Gender : Male</p> <p>Photo Available</p>	<p>YDX0368696</p>	<p>324</p> <p>Name : Socorrinha Teles Husbands Name: Eusebio Salvador Fernandes House Number : 85/F4 Age : 62 Gender : Female</p> <p>Photo Available</p>	<p>BTZ1690668</p>
<p>325</p> <p>Name : Floriano Alberto Magno Da Cruz Fathers Name: Antonio Da Cruz House Number : 85/F5 Age : 72 Gender : Male</p> <p>Photo Available</p>	<p>YDX0352963</p>	<p>326</p> <p>Name : Jesuina D' Cruz Husbands Name: Floriano Alberto Magno Da Cruz House Number : 85/F5 Age : 64 Gender : Female</p> <p>Photo Available</p>	<p>YDX0289264</p>	<p>327</p> <p>Name : Rajesh Karakonkar Fathers Name: Raghoba Parit House Number : 86 Age : 49 Gender : Male</p> <p>Photo Available</p>	<p>BTZ5469895</p>
<p>328</p> <p>Name : Ashwini Kankonkar Husbands Name: Rajesh Kankonkar House Number : 86 Age : 45 Gender : Female</p> <p>Photo Available</p>	<p>YDX0322065</p>	<p>329</p> <p>Name : Usha Parit Husbands Name: Raghoba Parit House Number : 86 Age : 74 Gender : Female</p> <p>Photo Available</p>	<p>YDX0486456</p>	<p>330</p> <p>Name : Dinesh Vaishnav Fathers Name: Gokuldas Vaishnav House Number : 86 Age : 40 Gender : Male</p> <p>Photo Available</p>	<p>URX0232355</p>



<p>331</p> <p>URX0232348</p> <p>Name : Gulab Dinesh Vaishnav Husbands Name: Dinesh Vaishnav House Number : 86 Age : 38 Gender : Female</p> <p>Photo Available</p>	<p>332</p> <p>BTZ3401825</p> <p>Name : Mitudas Vaishnav Fathers Name: Gokuldas Vaishnav House Number : 86/1 Age : 57 Gender : Male</p> <p>Photo Available</p>	<p>333</p> <p>BTZ5463070</p> <p>Name : Shanti Vaishnav Husbands Name: Mithudas Vaishnav House Number : 86/1 Age : 54 Gender : Female</p> <p>Photo Available</p>
<p>334</p> <p>BTZ5463138</p> <p>Name : Prakash Vaishnav Fathers Name: Bhavardas Vaishnav House Number : 86/1 Age : 41 Gender : Male</p> <p>Photo Available</p>	<p>335</p> <p>YDX0378216</p> <p>Name : Laxmiben Vishnu Fathers Name: Mitudas Vishnu House Number : 86/1 Age : 30 Gender : Female</p> <p>Photo Available</p>	<p>336</p> <p>BTZ0138115</p> <p>Name : Sidhesh Kankonkar Fathers Name: Chandrakant Kankonkar House Number : 86/A Age : 45 Gender : Male</p> <p>Photo Available</p>
<p>337</p> <p>YDX0486449</p> <p>Name : Prafulla Parit Husbands Name: Chandrakant Parit House Number : 86/A Age : 73 Gender : Female</p> <p>Photo Available</p>	<p>338</p> <p>YDX0374793</p> <p>Name : Neha Kankonkar Fathers Name: Nandakumar Kankonkar House Number : 86/B Age : 29 Gender : Female</p> <p>Photo Available</p>	<p>339</p> <p>YDX0486431</p> <p>Name : Nandakumar Parit Fathers Name: Ram Parit House Number : 86/B Age : 64 Gender : Male</p> <p>Photo Available</p>
<p>340</p> <p>BTZ0138172</p> <p>Name : Namita Parit Husbands Name: Nandakumar Parit House Number : 86/B Age : 59 Gender : Female</p> <p>Photo Available</p>	<p>341</p> <p>YDX0403584</p> <p>Name : Nikita Parit Fathers Name: Nandakumar Parit House Number : 86/B Age : 25 Gender : Female</p> <p>Photo Available</p>	<p>342</p> <p>YDX0508135</p> <p>Name : Nishita Parit Fathers Name: Nandkumar Parit House Number : 86/B Age : 20 Gender : Female</p> <p>Photo Available</p>
<p>343</p> <p>YDX0289462</p> <p>Name : Goaca Kan Fathers Name: Usman Kan House Number : 88 Age : 71 Gender : Male</p> <p>Photo Available</p>	<p>344</p> <p>YDX0413476</p> <p>Name : Shami Khan Faroque Fathers Name: Gauss Khan Faroque House Number : 88 Age : 36 Gender : Female</p> <p>Photo Available</p>	<p>345</p> <p>YDX0322073</p> <p>Name : Usmaan Khan Faroque Fathers Name: Gauss Khan Faroque House Number : 88 Age : 32 Gender : Male</p> <p>Photo Available</p>
<p>346</p> <p>BTZ1691062</p> <p>Name : Jyotsna Pai Husbands Name: Devidas Pai House Number : 88/1 Age : 79 Gender : Female</p> <p>Photo Available</p>	<p>347</p> <p>BTZ5166822</p> <p>Name : Rohit Pai Fathers Name: Devidas Pai House Number : 88/1 Age : 44 Gender : Male</p> <p>Photo Available</p>	<p>348</p> <p>YDX0486407</p> <p>Name : Kulasumbi Khan Fathers Name: Usman Khan House Number : 88/A Age : 76 Gender : Female</p> <p>Photo Available</p>
<p>349</p> <p>BTZ0137869</p> <p>Name : Ramesh Komarpant Fathers Name: Babai Komarpant House Number : 89 Age : 70 Gender : Male</p> <p>Photo Available</p>	<p>350</p> <p>BTZ5472527</p> <p>Name : Purva Komarpant Fathers Name: Ramesh Komarpant House Number : 89 Age : 36 Gender : Female</p> <p>Photo Available</p>	<p>351</p> <p>YDX0322081</p> <p>Name : Rubiya Komarpant Fathers Name: Ramesh Babi Komarpant House Number : 89 Age : 33 Gender : Female</p> <p>Photo Available</p>
<p>352</p> <p>YDX0383752</p> <p>Name : Prachi Komarpant Fathers Name: Ramesh Komarpant House Number : 89 Age : 29 Gender : Female</p> <p>Photo Available</p>	<p>353</p> <p>BTZ5164553</p> <p>Name : Vinayak Todur Fathers Name: Vyankataraman Todur House Number : 89/1 Age : 79 Gender : Male</p> <p>Photo Available</p>	<p>354</p> <p>BTZ5165519</p> <p>Name : Yogesh Todur Fathers Name: Vinayak Todur House Number : 89/1 Age : 41 Gender : Male</p> <p>Photo Available</p>
<p>355</p> <p>BTZ1221274</p> <p>Name : Abhinav Todur Fathers Name: Raghuvir Todur House Number : 89/1 Age : 38 Gender : Male</p> <p>Photo Available</p>	<p>356</p> <p>YDX0369355</p> <p>Name : Pallavi Pai Husbands Name: Rohit Pai House Number : 90 Age : 36 Gender : Female</p> <p>Photo Available</p>	<p>357</p> <p>YDX0285882</p> <p>Name : Deepak Raikar Fathers Name: Datta Raikar House Number : 90 Age : 59 Gender : Male</p> <p>Photo Available</p>
<p>358</p> <p>YDX0285866</p> <p>Name : Deepali Raikar Husbands Name: Deepak Raikar House Number : 90 Age : 57 Gender : Female</p> <p>Photo Available</p>	<p>359</p> <p>YDX0334474</p> <p>Name : Deval Raikar Fathers Name: Deepak Raikar House Number : 90 Age : 31 Gender : Female</p> <p>Photo Available</p>	<p>360</p> <p>YDX0486357</p> <p>Name : Amardeep Shirodkar Fathers Name: Shrikant Shirodkar House Number : 90/A Age : 50 Gender : Male</p> <p>Photo Available</p>



<p>361</p> <p>CCQ0830455</p> <p>Name : Anushka Shirodkar Husbands Name: Amardip Shirodkar House Number : 90/A Age : 40 Gender : Female</p> <p>Photo Available</p>	<p>362</p> <p>YDX0486340</p> <p>Name : Sanjivani Raikar Husbands Name: Fati Raikar House Number : 91 Age : 67 Gender : Female</p> <p>Photo Available</p>	<p>363</p> <p>BTZ0137851</p> <p>Name : Uday Raikar Fathers Name: Bhiku Raikar House Number : 91 Age : 64 Gender : Male</p> <p>Photo Available</p>
<p>364</p> <p>YDX0486332</p> <p>Name : Bhanudas Raikar Fathers Name: Bhiku Raikar House Number : 91 Age : 60 Gender : Male</p> <p>Photo Available</p>	<p>365</p> <p>BTZ5460324</p> <p>Name : Gulab Raikar Husbands Name: Rajendra Raikar House Number : 91 Age : 59 Gender : Female</p> <p>Photo Available</p>	<p>366</p> <p>BTZ0137950</p> <p>Name : Deepa Raikar Husbands Name: Uday Raikar House Number : 91 Age : 54 Gender : Female</p> <p>Photo Available</p>
<p>367</p> <p>YDX0486324</p> <p>Name : Rohidas Raikar Fathers Name: Bhiku Raikar House Number : 91 Age : 52 Gender : Male</p> <p>Photo Available</p>	<p>368</p> <p>BTZ0280107</p> <p>Name : Manisha Raikar Husbands Name: Bhanudas Raikar House Number : 91 Age : 50 Gender : Female</p> <p>Photo Available</p>	<p>369</p> <p>BTZ0280032</p> <p>Name : Teja Raikar Fathers Name: Fati Raikar House Number : 91 Age : 44 Gender : Female</p> <p>Photo Available</p>
<p>370</p> <p>YDX0397398</p> <p>Name : Deepesh Raikar Fathers Name: Uday Raikar House Number : 91 Age : 26 Gender : Male</p> <p>Photo Available</p>	<p>371</p> <p>YDX0394007</p> <p>Name : Shwetha Todur Husbands Name: Yogesh Todur House Number : 91/2 Age : 36 Gender : Female</p> <p>Photo Available</p>	<p>372</p> <p>YDX0289017</p> <p>Name : Suhas Raikar Fathers Name: Uttam Raikar House Number : 91/A Age : 61 Gender : Male</p> <p>Photo Available</p>
<p>373</p> <p>BTZ1691104</p> <p>Name : Smita Raikar Husbands Name: Suhas Raikar House Number : 91/A Age : 54 Gender : Female</p> <p>Photo Available</p>	<p>374</p> <p>YDX0407460</p> <p>Name : Kameshwari Raikar Fathers Name: Suhas Raikar House Number : 91/A Age : 25 Gender : Female</p> <p>Photo Available</p>	<p>375</p> <p>YDX0427542</p> <p>Name : Akhil Raikar Fathers Name: Suhas Raikar House Number : 91/A Age : 22 Gender : Male</p> <p>Photo Available</p>
<p>376</p> <p>YDX0486316</p> <p>Name : Geetanjali Raikar Husbands Name: Gopinath Raikar House Number : 91/B Age : 74 Gender : Female</p> <p>Photo Available</p>	<p>377</p> <p>YDX0489930</p> <p>Name : Amisha Ashok Raikar Husbands Name: Ashok Raikar House Number : 91/B Age : 66 Gender : Female</p> <p>Photo Available</p>	<p>378</p> <p>YDX0489948</p> <p>Name : Ashok Raikar Fathers Name: Keshav Raikar House Number : 91/B Age : 65 Gender : Male</p> <p>Photo Available</p>
<p>379</p> <p>BTZ1221266</p> <p>Name : Gaurav Raikar Fathers Name: Gopinath Raikar House Number : 91/B Age : 39 Gender : Male</p> <p>Photo Available</p>	<p>380</p> <p>NZM4472403</p> <p>Name : Gautami Raikar Husbands Name: Gaurav Raikar House Number : 91/B Age : 32 Gender : Female</p> <p>Photo Available</p>	<p>381</p> <p>YDX0382531</p> <p>Name : Akshay Raikar Fathers Name: Ashok Raikar House Number : 91/B Age : 28 Gender : Male</p> <p>Photo Available</p>
<p>382</p> <p>YDX0486266</p> <p>Name : Somnath Raikar Fathers Name: Keshav Raikar House Number : 91/C Age : 69 Gender : Male</p> <p>Photo Available</p>	<p>383</p> <p>YDX0486258</p> <p>Name : Swanita Raikar Husbands Name: Somnath Raikar House Number : 91/C Age : 63 Gender : Female</p> <p>Photo Available</p>	<p>384</p> <p>YDX0394494</p> <p>Name : Yogesh Raikar Fathers Name: Somnath Raikar House Number : 91/C Age : 29 Gender : Male</p> <p>Photo Available</p>
<p>385</p> <p>YDX0486241</p> <p>Name : Minika Mahale Husbands Name: Subha Mahale House Number : 92 Age : 69 Gender : Female</p> <p>Photo Available</p>	<p>386</p> <p>YDX0486233</p> <p>Name : Nagesh Mahale Fathers Name: Subha Mahale House Number : 92 Age : 49 Gender : Male</p> <p>Photo Available</p>	<p>387</p> <p>YDX0486225</p> <p>Name : Dilkush Kholkar Fathers Name: Raya Kholkar House Number : 93 Age : 60 Gender : Male</p> <p>Photo Available</p>
<p>388</p> <p>YDX0486217</p> <p>Name : Divya Kholkar Husbands Name: Dilkush Kholkar House Number : 93 Age : 59 Gender : Female</p> <p>Photo Available</p>	<p>389</p> <p>YDX0368704</p> <p>Name : Ankita Kholkar Fathers Name: Dilkush Kholkar House Number : 93 Age : 30 Gender : Female</p> <p>Photo Available</p>	<p>390</p> <p>YDX0407494</p> <p>Name : Mallikesh Kholkar Fathers Name: Dilkush Kholkar House Number : 93 Age : 25 Gender : Male</p> <p>Photo Available</p>



391 Name : Rajani Raikar Husbands Name: Ramesh Raikar House Number : 94 Age : 48 Gender : Female	BTZ1690833 Photo Available	392 Name : Kavesh Raikar Fathers Name: Ramesh Raikar House Number : 94 Age : 41 Gender : Male	BTZ5459607 Photo Available	393 Name : Anita Raikar Husbands Name: Kavesh Raikar House Number : 94 Age : 37 Gender : Female	WBZ0378208 Photo Available
394 Name : Guruprasad Raikar Fathers Name: Ramesh Raikar House Number : 94 Age : 37 Gender : Male	BTZ5460548 Photo Available	395 Name : Bhiku Sairaj Raikar Fathers Name: Fati Raikar House Number : 94 Age : 31 Gender : Male	YDX0334433 Photo Available	396 Name : Pratik Raikar Fathers Name: Uday Raikar House Number : 94 Age : 23 Gender : Male	YDX0424325 Photo Available
397 Name : Mohili Raikar Fathers Name: Bhanudas Raikar House Number : 94/1 Age : 27 Gender : Female	YDX0391219 Photo Available	398 Name : Kavil Raikar Fathers Name: Bhanudas Raikar House Number : 94/1 Age : 24 Gender : Male	YDX0417436 Photo Available	399 Name : VIPUL RAIKAR Fathers Name: BHANUDAS RAIKAR House Number : 94/1 Age : 22 Gender : Male	YDX0492454 Photo Available
400 Name : Prachi Raikar Husbands Name: Prasanna Raikar House Number : 96 Age : 43 Gender : Female	YDX0322107 Photo Available	401 Name : Ulhas Raikar Fathers Name: Gopal Raikar House Number : 96 Age : 77 Gender : Male	BTZ5471156 Photo Available	402 Name : Devayni Raikar Husbands Name: Mukund Raikar House Number : 96 Age : 73 Gender : Female	BTZ1690494 Photo Available
403 Name : Neeta Ulhas Raikar Husbands Name: Ulhas Raikar House Number : 96 Age : 57 Gender : Female	YDX0486118 Photo Available	404 Name : Prasanna Raikar Fathers Name: Mukund Raikar House Number : 96 Age : 49 Gender : Male	YDX0286922 Photo Available	405 Name : AJAYENDER NATH Fathers Name: VISHWINDER NATH House Number : 101, F BLOCK Age : 30 Gender : Male	YDX0424283 Photo Available
406 Name : NARENDER NATH Fathers Name: VISHWINDER NATH House Number : 101, F BLOCK Age : 27 Gender : Male	YDX0424291 Photo Available	407 Name : Elsa Tereza Rita Gracias Husbands Name: Joao Jose Roque Gracias House Number : 102 Age : 57 Gender : Female	YDX0289397 Photo Available	408 Name : Francisco Gracias Fathers Name: F. Rocky Gracias House Number : 102 Age : 55 Gender : Male	BTZ1690031 Photo Available
409 Name : Sophia Querobina Gracias Husbands Name: Francisco Constancio Gracias House Number : 102 Age : 45 Gender : Female	YDX0176586 Photo Available	410 Name : Sean Elloi Coutinho Fathers Name: Edwin Coutinho House Number : 104/G 3 Age : 23 Gender : Male	YDX0424309 Photo Available	411 Name : Eliza Magna Barreto Husbands Name: Edwin Joseph Coutinho House Number : 104/G3 Age : 51 Gender : Female	YDX0173948 Photo Available
412 Name : Bibiana Coutinho Husbands Name: Mauricio D'Souza House Number : 104/T3 Age : 66 Gender : Female	YDX0289058 Photo Available	413 Name : Movino D'Souza Fathers Name: Mauricio D'Souza House Number : 104/T3 Age : 39 Gender : Male	BTZ5460621 Photo Available	414 Name : Vibhakar Sail Fathers Name: Nilkanth Sail House Number : 104/T4 Age : 81 Gender : Male	BTZ5461272 Photo Available
415 Name : Nalini Sail Husbands Name: Vibhakar Sail House Number : 104/T4 Age : 74 Gender : Female	BTZ5461280 Photo Available	416 Name : Maria Santana Cardoso Husbands Name: Ambrozio Da'Silva House Number : 104/F2(1) Age : 69 Gender : Female	BTZ1765254 Photo Available	# 417 Name : Diogo Elvis Joseph Gracias Fathers Name: Luis Gracias House Number : 105 Age : 58 Gender : Male	BTZ5158183 Photo Available
418 Name : Helen Gracias Husbands Name: Joseph Gracias House Number : 105 Age : 54 Gender : Female	BTZ5474598 Photo Available	419 Name : Joseph Gracias Fathers Name: Luis Gracias House Number : 105 Age : 51 Gender : Male	BTZ0138149 Photo Available	420 Name : Maria Gracy Gracias Husbands Name: Elvis Gracias House Number : 105 Age : 44 Gender : Female	BTZ5462510 Photo Available



<p>421</p> <p>JGZ4305330</p> <p>Name : Elva Angelica Diniz Husbands Name: Sanjaya Nehru Gracias House Number : 105/A Age : 38 Gender : Female</p> <p>Photo</p> <p>Available</p>	<p>422</p> <p>YDX0486043</p> <p>Name : Stanley Gracias Fathers Name: Marvando A. Gracias House Number : 105/A Age : 55 Gender : Male</p> <p>Photo</p> <p>Available</p>	<p>423</p> <p>YDX0486035</p> <p>Name : Sanjay Gracias Fathers Name: Marvando A. Gracias House Number : 105/A Age : 48 Gender : Male</p> <p>Photo</p> <p>Available</p>
<p>424</p> <p>YDX0203117</p> <p>Name : Godfrey Basilio Rebello Fathers Name: Hilario Nazareth Rebello House Number : 106 Age : 35 Gender : Male</p> <p>Photo</p> <p>Available</p>	<p>425</p> <p>BTZ4241311</p> <p>Name : Sandesh Vinayak Telekar Fathers Name: Vinayak Pundalik Telekar House Number : 106/1 Age : 47 Gender : Male</p> <p>Photo</p> <p>Available</p>	<p>426</p> <p>GCM4822326</p> <p>Name : Samah Sandesh Telekar Husbands Name: Sandesh Vinayak Telekar House Number : 106/1 Age : 41 Gender : Female</p> <p>Photo</p> <p>Available</p>
<p>427</p> <p>BTZ3929569</p> <p>Name : Vinayak Telekar Fathers Name: Pundalik Telekar House Number : 106/1 Age : 81 Gender : Male</p> <p>Photo</p> <p>Available</p>	<p>428</p> <p>BTZ3929577</p> <p>Name : Laxmi Telekar Husbands Name: Vinayak Telekar House Number : 106/1 Age : 71 Gender : Female</p> <p>Photo</p> <p>Available</p>	<p>429</p> <p>YDX0485953</p> <p>Name : Rukmini Telekar Husbands Name: Khushali Telekar House Number : 107 Age : 74 Gender : Female</p> <p>Photo</p> <p>Available</p>
<p>430</p> <p>YDX0387787</p> <p>Name : Sharmila Telekar Husbands Name: Phurnakant Telekar House Number : 107 Age : 49 Gender : Female</p> <p>Photo</p> <p>Available</p>	<p>431</p> <p>YDX0485938</p> <p>Name : Purnakant Telekar Fathers Name: Khushali Telekar House Number : 107 Age : 49 Gender : Male</p> <p>Photo</p> <p>Available</p>	<p>432</p> <p>YDX0289215</p> <p>Name : Bhanudas Borkar Fathers Name: Gopal Borkar House Number : 108 Age : 60 Gender : Male</p> <p>Photo</p> <p>Available</p>
<p>433</p> <p>YDX0289231</p> <p>Name : Damodar Borkar Fathers Name: Gopal Borkar House Number : 108 Age : 54 Gender : Male</p> <p>Photo</p> <p>Available</p>	<p>434</p> <p>BTZ1690791</p> <p>Name : Sarita Borkar Husbands Name: Damodar Borkar House Number : 108 Age : 51 Gender : Female</p> <p>Photo</p> <p>Available</p>	<p>435</p> <p>YDX0289223</p> <p>Name : Charu Borkar Husbands Name: Bhanudas Borkar House Number : 108 Age : 49 Gender : Female</p> <p>Photo</p> <p>Available</p>
<p>436</p> <p>YDX0485912</p> <p>Name : Babesh Borkar Fathers Name: Gopal Borkar House Number : 108 Age : 45 Gender : Male</p> <p>Photo</p> <p>Available</p>	<p>437</p> <p>BTZ5460712</p> <p>Name : Shubhangi Borkar Husbands Name: Babesh Borkar House Number : 108 Age : 43 Gender : Female</p> <p>Photo</p> <p>Available</p>	<p>438</p> <p>YDX0421420</p> <p>Name : Yash Borkar Fathers Name: Damodar Borkar House Number : 108 Age : 23 Gender : Male</p> <p>Photo</p> <p>Available</p>
<p>439</p> <p>YDX0512384</p> <p>Name : Samarth Babesh Borkar Fathers Name: Babesh Borkar House Number : 108 Age : 20 Gender : Male</p> <p>Photo</p> <p>Available</p>	<p>440</p> <p>YDX0485904</p> <p>Name : Antonio Gonsalo Amaral Fernandes Fathers Name: Felix Fernandes House Number : 109/F1 Age : 75 Gender : Male</p> <p>Photo</p> <p>Available</p>	<p>441</p> <p>YDX0485821</p> <p>Name : Teresa Fernandes Husbands Name: Amaral Fernandes House Number : 109/F1 Age : 69 Gender : Female</p> <p>Photo</p> <p>Available</p>
<p>442</p> <p>YDX0485813</p> <p>Name : Aloysius Fernandes Fathers Name: Amaral Fernandes House Number : 109/F1 Age : 47 Gender : Male</p> <p>Photo</p> <p>Available</p>	<p>443</p> <p>BTZ0138024</p> <p>Name : Agustin Fernandes Fathers Name: Amaral Fernandes House Number : 109/F1 Age : 44 Gender : Male</p> <p>Photo</p> <p>Available</p>	<p>444</p> <p>YDX0200089</p> <p>Name : Lavita Fernandes Husbands Name: Aloysius Fernandes House Number : 109/F1 Age : 42 Gender : Female</p> <p>Photo</p> <p>Available</p>
<p>445</p> <p>FDW2714012</p> <p>Name : Meable Dias Fathers Name: Antonio Dias House Number : 109/F3 Age : 37 Gender : Female</p> <p>Photo</p> <p>Available</p>	<p>446</p> <p>BTZ5163985</p> <p>Name : Abdul Salam Mohammed Fathers Name: Mohammed Ali House Number : 110/1(6) Age : 63 Gender : Male</p> <p>Photo</p> <p>Available</p>	<p>447</p> <p>BTZ5163977</p> <p>Name : Zahida Salam Husbands Name: Abdul Salam House Number : 110/1(6) Age : 50 Gender : Female</p> <p>Photo</p> <p>Available</p>
<p>448</p> <p>YDX0374751</p> <p>Name : Aysha Sameen Fathers Name: Abdul Salam Mohammed House Number : 110/1(6) Age : 29 Gender : Female</p> <p>Photo</p> <p>Available</p>	<p>449</p> <p>BTZ5461322</p> <p>Name : Shilpa Varik Husbands Name: Suhash Varik House Number : 110/2(5) Age : 54 Gender : Female</p> <p>Photo</p> <p>Available</p>	<p>450</p> <p>YDX0390104</p> <p>Name : Digvijay Kirtani Fathers Name: Uday Kirtani House Number : 110 F/6 Age : 27 Gender : Male</p> <p>Photo</p> <p>Available</p>



<p>451</p> <p>Name : Deepthi Kirtani Fathers Name: Uday Kirtani House Number : 110/F/6 Age : 32 Gender : Female</p> <p>Photo Available</p>	<p>YDX0322123</p>	<p>452</p> <p>Name : Uday Kirtani Fathers Name: Vithal Kirtani House Number : 110/2(C6) Age : 62 Gender : Male</p> <p>Photo Available</p>	<p>BTZ1691278</p>	<p>453</p> <p>Name : Ujwala Kirtani Husbands Name: Uday Kirtani House Number : 110/2(C6) Age : 56 Gender : Female</p> <p>Photo Available</p>	<p>BTZ0161356</p>
<p>454</p> <p>Name : Vithaldas Pagi Fathers Name: Vankatesh Pagi House Number : 111/A Age : 41 Gender : Male</p> <p>Photo Available</p>	<p>BTZ5460977</p>	<p>455</p> <p>Name : Kamakshi Pagi Husbands Name: Vithaldas Pagi House Number : 111/A Age : 37 Gender : Female</p> <p>Photo Available</p>	<p>YDX0410407</p>	<p>456</p> <p>Name : Pia Sipriana Josefina Carvalho Husbands Name: Manuel Gracias House Number : 113 Age : 76 Gender : Female</p> <p>Photo Available</p>	<p>YDX0289025</p>
<p>457</p> <p>Name : Gisella Fernandes Husbands Name: Joaquim Collin Gracias House Number : 113 Age : 46 Gender : Female</p> <p>Photo Available</p>	<p>YDX0334466</p>	<p>458</p> <p>Name : Anthony Charles Gracias Fathers Name: Tomas Manuel Gracias House Number : 113 Age : 53 Gender : Male</p> <p>Photo Available</p>	<p>YDX0289090</p>	<p>459</p> <p>Name : Joaquim Collin Gracias Fathers Name: Tomas Manuel Gracias House Number : 113 Age : 48 Gender : Male</p> <p>Photo Available</p>	<p>YDX0289108</p>
<p>460</p> <p>Name : Doreen Gracias Husbands Name: Anthony Gracias House Number : 113 Age : 46 Gender : Female</p> <p>Photo Available</p>	<p>BTZ5461827</p>	<p>461</p> <p>Name : Nicholas Gracias Fathers Name: Edward Gracias House Number : 114 Age : 56 Gender : Male</p> <p>Photo Available</p>	<p>BTZ0027284</p>	<p>462</p> <p>Name : Annie Gracias Husbands Name: Milagra Gracias House Number : 114 Age : 50 Gender : Female</p> <p>Photo Available</p>	<p>BTZ1690080</p>
<p>463</p> <p>Name : Savita Gracias Husbands Name: Nicholas Gracias House Number : 114 Age : 45 Gender : Female</p> <p>Photo Available</p>	<p>BTZ5470562</p>	<p>464</p> <p>Name : Padmanabh Desai Fathers Name: Atmaram Desai House Number : 114/1 Age : 56 Gender : Male</p> <p>Photo Available</p>	<p>BTZ5461777</p>	<p>465</p> <p>Name : Madhuri Desai Husbands Name: Padmanabh Desai House Number : 114/1 Age : 55 Gender : Female</p> <p>Photo Available</p>	<p>BTZ5460761</p>
<p>466</p> <p>Name : Aneeda Talekar Husbands Name: Purnanand Talekar House Number : 117 Age : 48 Gender : Female</p> <p>Photo Available</p>	<p>INX0220434</p>	<p>467</p> <p>Name : Perpetua Sebastian Fernandes Fathers Name: Sebastian Fernandes House Number : 123 Age : 44 Gender : Female</p> <p>Photo Available</p>	<p>CPQ0020487</p>	<p>468</p> <p>Name : Sushama Dessai Husbands Name: Krupesh Dessai House Number : 141 Age : 41 Gender : Female</p> <p>Photo Available</p>	<p>ZOV0244194</p>
<p>469</p> <p>Name : Malesh Naik Dessai Fathers Name: Ulhas Naik Dessai House Number : 141 Age : 37 Gender : Male</p> <p>Photo Available</p>	<p>BTZ1221316</p>	<p>470</p> <p>Name : Preeti Naik Dessai Husbands Name: Malesh Naik Dessai House Number : 141 Age : 36 Gender : Female</p> <p>Photo Available</p>	<p>YDX0412759</p>	<p>471</p> <p>Name : Priya Gracias Husbands Name: Socorro Gracias House Number : 150 Age : 42 Gender : Female</p> <p>Photo Available</p>	<p>YDX0299941</p>
<p>472</p> <p>Name : Reviraj Maidaragi Fathers Name: Shivaraj Maidaragi House Number : 151 Age : 39 Gender : Male</p> <p>Photo Available</p>	<p>YDX0346684</p>	<p>473</p> <p>Name : Samantha Larina Gracias Fathers Name: Shelter Adolfo Gracias House Number : 154 Age : 29 Gender : Female</p> <p>Photo Available</p>	<p>YDX0380857</p>	<p>474</p> <p>Name : NOAH GRACIAS Fathers Name: Shelter Gracias House Number : 154 Age : 24 Gender : Male</p> <p>Photo Available</p>	<p>YDX0493908</p>
<p>475</p> <p>Name : Parag Raikar Fathers Name: Mukund Raikar House Number : 154/3 Age : 53 Gender : Male</p> <p>Photo Available</p>	<p>YDX0485680</p>	<p>476</p> <p>Name : Kirti Raikar Husbands Name: Parag Raikar House Number : 154/3 Age : 46 Gender : Female</p> <p>Photo Available</p>	<p>BTZ1690460</p>	<p>477</p> <p>Name : Shivam Raikar Fathers Name: Parag Raikar House Number : 154/3 Age : 20 Gender : Male</p> <p>Photo Available</p>	<p>YDX0502559</p>
<p>478</p> <p>Name : Samson Lazaro Gracias Fathers Name: Patrick Martinho Gracias House Number : 155 Age : 62 Gender : Male</p> <p>Photo Available</p>	<p>YDX0497446</p>	<p>479</p> <p>Name : ALICIA GRACIAS Fathers Name: ANTONIO GRACIAS House Number : 155 Age : 26 Gender : Female</p> <p>Photo Available</p>	<p>YDX0493916</p>	<p>480</p> <p>Name : Sunita Rane Husbands Name: Apaji Rane House Number : 157/2(7) Age : 71 Gender : Female</p> <p>Photo Available</p>	<p>YDX0485573</p>



<p>481</p> <p>BTZ3931847</p> <p>Name : Sanjay Rane Fathers Name: Apaji Rane House Number : 157/2(7) Age : 48 Gender : Male</p> <p>Photo</p> <p>Available</p>	<p>482</p> <p>BTZ1840974</p> <p>Name : Shailesh Rane Fathers Name: Apaji Rane House Number : 157/2(7) Age : 46 Gender : Male</p> <p>Photo</p> <p>Available</p>	<p>483</p> <p>YDX0378273</p> <p>Name : Suvama Rane Husbands Name: Jagadish Rane House Number : 157/2(7) Age : 45 Gender : Female</p> <p>Photo</p> <p>Available</p>
<p>484</p> <p>YDX0500678</p> <p>Name : Alisha Fernandes Fathers Name: Gerald Fernandes House Number : 157/2/8 Age : 21 Gender : Female</p> <p>Photo</p> <p>Available</p>	<p>485</p> <p>YDX0331140</p> <p>Name : Vishal Kenkre Fathers Name: Shaym Kenkre House Number : 157/3 (1) Age : 33 Gender : Male</p> <p>Photo</p> <p>Available</p>	<p>486</p> <p>YDX0289116</p> <p>Name : Vijaya Kenkre Husbands Name: Shyam Kenkre House Number : 157/3(1) Age : 58 Gender : Female</p> <p>Photo</p> <p>Available</p>
<p>487</p> <p>YDX0289124</p> <p>Name : Shyam Kenkre Fathers Name: Anant Kenkre House Number : 157/3(1) Age : 58 Gender : Male</p> <p>Photo</p> <p>Available</p>	<p>488</p> <p>YDX0485565</p> <p>Name : Antoneta Fernandes Husbands Name: Anibal Francisco Rebello House Number : 157/F2 Age : 55 Gender : Female</p> <p>Photo</p> <p>Available</p>	<p>489</p> <p>YDX0334409</p> <p>Name : Valerie Rebello Fathers Name: Anibal Francisco Rebello House Number : 157/F2 Age : 31 Gender : Female</p> <p>Photo</p> <p>Available</p>
<p>490</p> <p>YDX0403469</p> <p>Name : Ashley Inacio Rebello Fathers Name: Anibal Francisco Rebello House Number : 157/F2 Age : 25 Gender : Male</p> <p>Photo</p> <p>Available</p>	<p>491</p> <p>YDX0176321</p> <p>Name : Anibal Francisco Rebello Fathers Name: Diogo Inacio Rebello House Number : 157/F2 Age : 61 Gender : Male</p> <p>Photo</p> <p>Available</p>	<p>492</p> <p>YDX0177543</p> <p>Name : Ludovina Beimira Barreto Husbands Name: Nazareth Rebello House Number : 157/F3 Age : 60 Gender : Female</p> <p>Photo</p> <p>Available</p>
<p>493</p> <p>SES0314476</p> <p>Name : Alisha Irene Fernandes Husbands Name: Constancio Bernardo Rebello House Number : 157/F3 Age : 35 Gender : Female</p> <p>Photo</p> <p>Available</p>	<p>494</p> <p>BTZ5460746</p> <p>Name : Constancio Bernardo Rebello Fathers Name: Hilario Nazareth Rebello House Number : 157/F3 Age : 37 Gender : Male</p> <p>Photo</p> <p>Available</p>	<p>495</p> <p>YDX0485557</p> <p>Name : Hilario Nazaretha Rebello Fathers Name: Diogo Inacio Rebello House Number : 157/F3 Age : 70 Gender : Male</p> <p>Photo</p> <p>Available</p>
<p>496</p> <p>YDX0387795</p> <p>Name : Suraj Anchekar Fathers Name: Datta Anchekar House Number : 161 Age : 35 Gender : Male</p> <p>Photo</p> <p>Available</p>	<p>497</p> <p>BTZ5471529</p> <p>Name : Shrushti Komarpant Husbands Name: Sanjay Komarpant House Number : 161 Age : 48 Gender : Female</p> <p>Photo</p> <p>Available</p>	<p>498</p> <p>YDX0337758</p> <p>Name : Preeti Komarpant Husbands Name: Guiri Komarpant House Number : 161 Age : 31 Gender : Female</p> <p>Photo</p> <p>Available</p>
<p>499</p> <p>YDX0500223</p> <p>Name : Shrividhya Komarpant Fathers Name: Subhash Komarpant House Number : 161 Age : 22 Gender : Female</p> <p>Photo</p> <p>Available</p>	<p>500</p> <p>YDX0506584</p> <p>Name : Sairaj Komarpant Fathers Name: Sadanand Komarpant House Number : 161 Age : 20 Gender : Male</p> <p>Photo</p> <p>Available</p>	<p>501</p> <p>YDX0378406</p> <p>Name : Alwyn Anthony Das Chagas Rodrigues Fathers Name: Angelo Rodrigues House Number : 163 Age : 38 Gender : Male</p> <p>Photo</p> <p>Available</p>
<p>502</p> <p>YDX0394460</p> <p>Name : Shrikant Vernekar Fathers Name: Vishwanath Vernekar House Number : 163/4 Age : 29 Gender : Male</p> <p>Photo</p> <p>Available</p>	<p>503</p> <p>YDX0380964</p> <p>Name : Rahul Raikar Fathers Name: Suraj Raikar House Number : 168/54 Age : 30 Gender : Male</p> <p>Photo</p> <p>Available</p>	<p>504</p> <p>YDX0417642</p> <p>Name : Aarti Raikar Husbands Name: Rahul Raikar House Number : 168/54 Age : 30 Gender : Female</p> <p>Photo</p> <p>Available</p>
<p>505</p> <p>YDX0423731</p> <p>Name : Rajendra Raikar Fathers Name: Suraj Raikar House Number : 168/54 Age : 23 Gender : Male</p> <p>Photo</p> <p>Available</p>	<p>506</p> <p>YDX0173054</p> <p>Name : Dayakar Kashinath Pai Fathers Name: Kashinath Raya Pai House Number : 168/S3 Age : 79 Gender : Male</p> <p>Photo</p> <p>Available</p>	<p>507</p> <p>YDX0174235</p> <p>Name : Dipali Pai Husbands Name: Dayakar Kasinath Pai House Number : 168/S3 Age : 74 Gender : Female</p> <p>Photo</p> <p>Available</p>
<p>508</p> <p>BTZ3929759</p> <p>Name : Valerian Veigas Fathers Name: Marshal Veigas House Number : 171 Age : 63 Gender : Male</p> <p>Photo</p> <p>Available</p>	<p>509</p> <p>YDX0289140</p> <p>Name : Florine Veigas Husbands Name: Valerian Veigas House Number : 171 Age : 55 Gender : Female</p> <p>Photo</p> <p>Available</p>	<p>510</p> <p>YDX0413468</p> <p>Name : Roshal Aguiar Fathers Name: Rosario Teodoro De Aguiar House Number : 172/D3 Age : 24 Gender : Female</p> <p>Photo</p> <p>Available</p>



<p>511</p> <p>Name : Hrishikesh Kadam Fathers Name: Devidas Kadam House Number : 172 D/6 Age : 33 Gender : Male</p> <p>Photo Available</p>	<p>YDX0322420</p>	<p>512</p> <p>Name : Devidas Kadam Fathers Name: Ramchandra Kadam House Number : 172/D-6 Age : 65 Gender : Male</p> <p>Photo Available</p>	<p>BTZ5460050</p>	<p>513</p> <p>Name : Sneha Kadam Husbands Name: Devidas Kadam House Number : 172/D-6 Age : 62 Gender : Female</p> <p>Photo Available</p>	<p>YDX0358416</p>
<p>514</p> <p>Name : Pratima Nayak Husbands Name: Dattatraya Nayak House Number : 172/F1 Age : 64 Gender : Female</p> <p>Photo Available</p>	<p>YDX0173260</p>	<p>515</p> <p>Name : Deepti Nayak Fathers Name: Dattatraya Nayak House Number : 172/F1 Age : 35 Gender : Female</p> <p>Photo Available</p>	<p>YDX0346692</p>	<p>516</p> <p>Name : Daryl Fernandes Mothers Name: Flavia Fernandes House Number : 172/T2 Age : 27 Gender : Male</p> <p>Photo Available</p>	<p>YDX0417477</p>
<p>517</p> <p>Name : Aaron Sean Colaco Fathers Name: Agnelo Colaco House Number : 172/T-6 Age : 29 Gender : Male</p> <p>Photo Available</p>	<p>YDX0388793</p>	<p>518</p> <p>Name : Aranbxa Colaco Fathers Name: Agnelo Colaco House Number : 172/T-6 Age : 22 Gender : Female</p> <p>Photo Available</p>	<p>YDX0427609</p>	<p>519</p> <p>Name : Ida Monteiro Husbands Name: Agnelo Colaco House Number : 172/T-6 Age : 53 Gender : Female</p> <p>Photo Available</p>	<p>YDX0485458</p>
<p>S 520</p> <p>Name : Girish Simikari Fathers Name: Algodappa Simikari House Number : 172/1F1(E3) Age : 51 Gender : Male</p> <p>Photo Available</p>	<p>YDX0274464</p>	<p>521</p> <p>Name : Flory Aguiar Husbands Name: Ruzario Aguiar House Number : 172/1F2(2) Age : 57 Gender : Female</p> <p>Photo Available</p>	<p>BTZ5459086</p>	<p>S 522</p> <p>Name : Bharat Shetty Fathers Name: Bhujangali Shetty House Number : 172/1F2(3) Age : 56 Gender : Male</p> <p>Photo Available</p>	<p>BTZ5462312</p>
<p>523</p> <p>Name : Anunciacao Costa Husbands Name: Andre Da Costa House Number : 176 Age : 68 Gender : Female</p> <p>Photo Available</p>	<p>BTZ5461199</p>	<p>524</p> <p>Name : Andre Da Costa Fathers Name: Goncalo Da Costa House Number : 176 Age : 71 Gender : Male</p> <p>Photo Available</p>	<p>BTZ5157284</p>	<p>525</p> <p>Name : Arvina Treacy Da'Costa Fathers Name: Andre Da'Costa House Number : 176 Age : 37 Gender : Female</p> <p>Photo Available</p>	<p>BTZ5461140</p>
<p>526</p> <p>Name : Macwin Agnelo Da'Costa Fathers Name: Andre Da'Costa House Number : 176 Age : 32 Gender : Male</p> <p>Photo Available</p>	<p>YDX0322131</p>	<p>527</p> <p>Name : Robertina Husbands Name: Peter Nayakam House Number : 176 Age : 67 Gender : Female</p> <p>Photo Available</p>	<p>BTZ5461132</p>	<p>528</p> <p>Name : Tony Nayakam Fathers Name: Peter Nayakam House Number : 176 Age : 35 Gender : Male</p> <p>Photo Available</p>	<p>BTZ5476171</p>
<p>529</p> <p>Name : Mariana Fernandes E De Souza Husbands Name: Cruz Desouza House Number : 178 Age : 63 Gender : Female</p> <p>Photo Available</p>	<p>BTZ5469937</p>	<p>530</p> <p>Name : Peter Nayakam Fathers Name: Anthony Nayakam House Number : 178 Age : 62 Gender : Male</p> <p>Photo Available</p>	<p>YDX0417659</p>	<p>531</p> <p>Name : Surekha Shinde Fathers Name: Ramchandra Shinde House Number : 182/A Age : 33 Gender : Female</p> <p>Photo Available</p>	<p>YDX0331264</p>
<p>532</p> <p>Name : Sonam Desai Fathers Name: Santosh Desai House Number : 183 Age : 23 Gender : Female</p> <p>Photo Available</p>	<p>YDX0424317</p>	<p>533</p> <p>Name : Mamta Vaishnav Fathers Name: Mithudas Vaishnav House Number : 186 Age : 28 Gender : Female</p> <p>Photo Available</p>	<p>YDX0397935</p>	<p>534</p> <p>Name : Janki Vaishnav Fathers Name: Mittudas Vaishnav House Number : 186 Age : 26 Gender : Female</p> <p>Photo Available</p>	<p>YDX0397927</p>
<p>535</p> <p>Name : Bharat Vaishnav Fathers Name: Mitudas Vaishnav House Number : 186 Age : 23 Gender : Male</p> <p>Photo Available</p>	<p>YDX0419796</p>	<p>536</p> <p>Name : Ramkrishna Nayak Fathers Name: Subbu Nayak House Number : 187/F-3 Age : 76 Gender : Male</p> <p>Photo Available</p>	<p>BTZ5474317</p>	<p>537</p> <p>Name : Mala Nayak Husbands Name: Ramkrishna Nayak House Number : 187/F-3 Age : 68 Gender : Female</p> <p>Photo Available</p>	<p>BTZ5474432</p>
<p>538</p> <p>Name : Shreevijaykumar Nayak Fathers Name: Ramakrishna Nayak House Number : 187/F-3 Age : 44 Gender : Male</p> <p>Photo Available</p>	<p>YDX0290700</p>	<p>539</p> <p>Name : Rajeshwari Nayak Fathers Name: Ramakrishna Nayak House Number : 187/F-3 Age : 37 Gender : Female</p> <p>Photo Available</p>	<p>YDX0410480</p>	<p>540</p> <p>Name : Shilpa Nayak Husbands Name: Shreevijaykumar Nayak House Number : 187/FF3 Age : 40 Gender : Female</p> <p>Photo Available</p>	<p>YDX0501734</p>



<p>541</p> <p>YDX0485193</p> <p>Name : Prakash Bhangle Fathers Name: Shivray Bhangle House Number : 187/S-2 Age : 67 Gender : Male</p> <p>Photo Available</p>	<p>542</p> <p>YDX0374777</p> <p>Name : Pravinya Bhangle Fathers Name: Prakash Bhangle House Number : 187/S-2 Age : 29 Gender : Female</p> <p>Photo Available</p>	<p>543</p> <p>YDX0436352</p> <p>Name : Deelip Laxman Dessai Fathers Name: Laxman Dessai House Number : 189 Age : 67 Gender : Male</p> <p>Photo Available</p>
<p>544</p> <p>BTZ5462031</p> <p>Name : Deepali Dessai Husbands Name: Deelip Dessai House Number : 189 Age : 63 Gender : Female</p> <p>Photo Available</p>	<p>545</p> <p>YPI0462804</p> <p>Name : Lakmesh Dessai Fathers Name: Deelip Dessai House Number : 189 Age : 28 Gender : Male</p> <p>Photo Available</p>	<p>546</p> <p>YDX0485334</p> <p>Name : Kusta A/S Shankar Telekar Fathers Name: Pundalik Telekar House Number : 190 Age : 78 Gender : Male</p> <p>Photo Available</p>
<p>547</p> <p>YDX0485326</p> <p>Name : Shilpa Telekar Husbands Name: Kusta A/S Shankar Telekar House Number : 190 Age : 70 Gender : Female</p> <p>Photo Available</p>	<p>548</p> <p>FXC4066908</p> <p>Name : Sujeet Telekar Fathers Name: Kusta A/S Shankar Telekar House Number : 190 Age : 46 Gender : Male</p> <p>Photo Available</p>	<p>549</p> <p>YDX0383786</p> <p>Name : Neeta Telekar Husbands Name: Sujit Telekar House Number : 190 Age : 38 Gender : Female</p> <p>Photo Available</p>
<p>550</p> <p>YDX0413435</p> <p>Name : Preshita Prabhu Desai Fathers Name: Anant Prabhu Desai House Number : 192 Age : 24 Gender : Female</p> <p>Photo Available</p>	<p>551</p> <p>YDX0334714</p> <p>Name : Anant Prabhu Desai Fathers Name: Gopal Prabhu Desai House Number : 192 Age : 59 Gender : Male</p> <p>Photo Available</p>	<p>552</p> <p>YDX0334706</p> <p>Name : Vandana Prabhu Desai Husbands Name: Anant Prabhu Desai House Number : 192 Age : 49 Gender : Female</p> <p>Photo Available</p>
<p>553</p> <p>YDX0502146</p> <p>Name : Eishita Prabhudesai Fathers Name: Anant Prabhudesai House Number : 192 Age : 21 Gender : Female</p> <p>Photo Available</p>	<p>554</p> <p>BTZ5462346</p> <p>Name : Hasankhan Saushi Fathers Name: Sharif Khan Saushi House Number : 193 Age : 43 Gender : Male</p> <p>Photo Available</p>	<p>555</p> <p>YDX0369843</p> <p>Name : Priti Naik Husbands Name: Prakash Naik House Number : 194 Age : 44 Gender : Female</p> <p>Photo Available</p>
<p>556</p> <p>BTZ1735430</p> <p>Name : Vaishali Naik Husbands Name: Ulhas Naik House Number : 194 Age : 43 Gender : Female</p> <p>Photo Available</p>	<p>557</p> <p>YDX0203091</p> <p>Name : Shera Socorro Rebello Husbands Name: Socorro Rebello House Number : 197 Age : 44 Gender : Female</p> <p>Photo Available</p>	<p>558</p> <p>YDX0326280</p> <p>Name : Vinakshi Misika Barretto Fathers Name: Mliagro Barretto House Number : 205/T2 Age : 35 Gender : Female</p> <p>Photo Available</p>
<p>559</p> <p>RJV2328706</p> <p>Name : Manjappa Narappanavar Fathers Name: Basavarajappa Narappanavar House Number : 206/T2, FLAT 302 Age : 35 Gender : Male</p> <p>Photo Available</p>	<p>560</p> <p>YDX0355057</p> <p>Name : Glifa Miranda Husbands Name: Edwin Fernandes House Number : 214 Age : 32 Gender : Female</p> <p>Photo Available</p>	<p>561</p> <p>YDX0370700</p> <p>Name : Piedade Barretto Husbands Name: John Michael Barretto House Number : 216 Age : 70 Gender : Female</p> <p>Photo Available</p>
<p>562</p> <p>YDX0378224</p> <p>Name : Santan Barretto Fathers Name: John Barretto House Number : 216 Age : 45 Gender : Male</p> <p>Photo Available</p>	<p>563</p> <p>YDX0371997</p> <p>Name : Fredy Barretto Fathers Name: John Barretto House Number : 216 Age : 42 Gender : Male</p> <p>Photo Available</p>	<p>564</p> <p>YDX0387258</p> <p>Name : Rosita Lourdine Mendonca Husbands Name: Santan Barretto House Number : 216 Age : 42 Gender : Female</p> <p>Photo Available</p>
<p>565</p> <p>BTZ4959557</p> <p>Name : Dilkush Kanakonkar Fathers Name: Raghoba Parit House Number : 218 Age : 55 Gender : Male</p> <p>Photo Available</p>	<p>566</p> <p>BTZ4959540</p> <p>Name : Laxmi Kanakonkar Husbands Name: Dilkush Kanakonkar House Number : 218 Age : 48 Gender : Female</p> <p>Photo Available</p>	<p>567</p> <p>YDX0396515</p> <p>Name : Ishwar Vijayan Fathers Name: Vijaya Shankaran House Number : 220/T1 Age : 51 Gender : Male</p> <p>Photo Available</p>
<p>568</p> <p>BGW0777599</p> <p>Name : Asfiya Gazi Alias Gracias Husbands Name: Anand Peter Gracias House Number : 237 Age : 37 Gender : Female</p> <p>Photo Available</p>	<p>569</p> <p>YDX0394387</p> <p>Name : Prasik Desai Fathers Name: Mohan Desai House Number : 305 Age : 27 Gender : Male</p> <p>Photo Available</p>	<p>570</p> <p>SES0097915</p> <p>Name : Aldridge Gracias Fathers Name: Gorgonha Anacleto Gracias House Number : 314 Age : 34 Gender : Male</p> <p>Photo Available</p>



<p>571</p> <p>Name : Neetesh Bhandari Fathers Name: Krishna Bhandari House Number : A-78 Age : 31 Gender : Male</p> <p>Photo Available</p>	<p>YDX0349019</p>	<p>572</p> <p>Name : Yogesh Bhandari Fathers Name: Krishna Bhandari House Number : A-78 Age : 28 Gender : Male</p> <p>Photo Available</p>	<p>YDX0389387</p>	<p>573</p> <p>Name : Meenakshi Passi Fathers Name: Joginder Singh Passi House Number : A-302 Age : 63 Gender : Female</p> <p>Photo Available</p>	<p>YDX0369363</p>
<p>574</p> <p>Name : Suprasad Bhat Fathers Name: Seetaram Bhat House Number : B-5 Age : 32 Gender : Male</p> <p>Photo Available</p>	<p>YDX0353631</p>	<p>575</p> <p>Name : Anita Sing Husbands Name: Nilesh Paigankar House Number : B/201 Age : 44 Gender : Female</p> <p>Photo Available</p>	<p>YDX0418293</p>	<p>576</p> <p>Name : Savita Paingankar Husbands Name: Prabhakar Paingankar House Number : B-201 Age : 82 Gender : Female</p> <p>Photo Available</p>	<p>FDW3008836</p>
<p>577</p> <p>Name : Nilesh Paingankar Fathers Name: Prabhakar Paingankar House Number : B-201 Age : 51 Gender : Male</p> <p>Photo Available</p>	<p>FDW3008794</p>	<p>578</p> <p>Name : Prabhat Jain Fathers Name: Chakresh Kumar Jain House Number : E-001(2/199/5) Age : 41 Gender : Male</p> <p>Photo Available</p>	<p>YDX0392258</p>	<p>579</p> <p>Name : Sarvesh Kenkre Fathers Name: Mabaleshawar Kenkre House Number : F2 Age : 33 Gender : Male</p> <p>Photo Available</p>	<p>YDX0322149</p>
<p>580</p> <p>Name : Sonali Kenkre Fathers Name: Dilip Kenkre House Number : Flat No. 2 Age : 28 Gender : Female</p> <p>Photo Available</p>	<p>YDX0383711</p>	<p>581</p> <p>Name : Wayne Alan D'Cruz Fathers Name: Floriano Alberto Magno D'Cruz House Number : Flat No. 3 Age : 32 Gender : Male</p> <p>Photo Available</p>	<p>YDX0355834</p>	<p>582</p> <p>Name : Dayle Icis D'Cruz Fathers Name: Floriano Alberto Magno D'Cruz House Number : Flat No. 3 Age : 27 Gender : Female</p> <p>Photo Available</p>	<p>YDX0394452</p>
<p>583</p> <p>Name : Rupesh Bhandari Fathers Name: Krishna Bhandari House Number : F-6 Age : 37 Gender : Male</p> <p>Photo Available</p>	<p>YDX0203026</p>	<p>584</p> <p>Name : Mohammed Saik Fathers Name: Abdul Salam House Number : Flat No. 6 Age : 31 Gender : Male</p> <p>Photo Available</p>	<p>YDX0334383</p>	<p>585</p> <p>Name : Fathima Simran Fathers Name: P.M. Abdul salam House Number : Flat No.6 Age : 23 Gender : Female</p> <p>Photo Available</p>	<p>YDX0426361</p>
<p>586</p> <p>Name : DEEPAK KAMRA Fathers Name: VED PARKASH KAMRA House Number : F BLOCK 306 Age : 40 Gender : Male</p> <p>Photo Available</p>	<p>YDX0506535</p>	<p>587</p> <p>Name : Avinash Kashyap Fathers Name: Ram Siyawar Sinha House Number : Flat No.F-401 Age : 35 Gender : Male</p> <p>Photo Available</p>	<p>YDX0514232</p>	<p>588</p> <p>Name : Ankit Kumar Fathers Name: Durga Sah House Number : H.No.61/a Age : 22 Gender : Male</p> <p>Photo Available</p>	<p>YDX0514331</p>
<p>589</p> <p>Name : Siddhi Shankar Naik Fathers Name: Shankar Naik House Number : H.No.62 Age : 19 Gender : Female</p> <p>Photo Available</p>	<p>YDX0513010</p>	<p>590</p> <p>Name : Sohel Sunil Naik Fathers Name: Sunil Naik House Number : H.No.141/B Age : 18 Gender : Male</p> <p>Photo Available</p>	<p>YDX0513002</p>	<p>591</p> <p>Name : Devika Agashi Bagilu Fathers Name: Annappa Bagilu House Number : H.No.142/A Age : 19 Gender : Female</p> <p>Photo Available</p>	<p>YDX0512996</p>
<p>592</p> <p>Name : Deepa Mitudas Vaishnav Fathers Name: Mitudas Vaishnav House Number : H.No.186 Age : 22 Gender : Female</p> <p>Photo Available</p>	<p>YDX0514299</p>	<p>593</p> <p>Name : Mallik Ganachari Fathers Name: Pundalik Ganachari House Number : H no. 20-1 Age : 23 Gender : Male</p> <p>Photo Available</p>	<p>YDX0425488</p>	<p>594</p> <p>Name : Rounak Dilkush Kankonkar Fathers Name: Dilkush Kankonkar House Number : H.No.218 Age : 19 Gender : Male</p> <p>Photo Available</p>	<p>YDX0512988</p>
<p>595</p> <p>Name : Kamaludhin Kakanwala Fathers Name: Jallaluddin Kakanwala House Number : H.No.58/1 Age : 20 Gender : Male</p> <p>Photo Available</p>	<p>YDX0513036</p>	<p>596</p> <p>Name : Prasmit Bhangle Fathers Name: Prakash Bhangle House Number : Sf2 Age : 32 Gender : Male</p> <p>Photo Available</p>	<p>YDX0322156</p>		



597 Name : Akashata Naik Husbands Name: Ashok Naik House Number : F.NO. 2/156/F-4 Age : 46 Gender : Female	BTZ5448543 Photo Available	598 Name : Bhikaro Naik Gaonkar Fathers Name: Pissioi Naik Gaonkar House Number : 2/158 Age : 51 Gender : Male	YDX0474445 Photo Available	599 Name : Ashlesha Naik Gaonkar Husbands Name: Bhikaro Naik Gaonkar House Number : 2/158 Age : 47 Gender : Female	BTZ5462882 Photo Available
600 Name : Anand Kotharker Fathers Name: Laxman Kotharker House Number : 2/195 Age : 49 Gender : Male	YDX0427393 Photo Available	601 Name : Lata Varico Husbands Name: Jose Francisco Pereira House Number : 2/205 Age : 63 Gender : Female	YDX0304220 Photo Available	602 Name : Deepa Naik Husbands Name: Digambar Naik House Number : 2/135/N (B-8) Age : 49 Gender : Female	YDX0204537 Photo Available
603 Name : Digambar Naik Fathers Name: Sukruvagh Naik House Number : 2/135/N (B-8) Age : 49 Gender : Male	YDX0368431 Photo Available	604 Name : Suweak Digambar Naik Fathers Name: Digambar Naik House Number : 2/135/N (B-8) Age : 19 Gender : Male	YDX0511766 Photo Available	605 Name : Ramkrishna Kamat Fathers Name: Ramdas Kamat House Number : 3 Age : 69 Gender : Male	YDX0393751 Photo Available
606 Name : Karuna Kamat Husbands Name: Ramkrishna Kamat House Number : 3 Age : 59 Gender : Female	YDX0393769 Photo Available	607 Name : NEHAL NYANESHWAR FADTE DESSAI Fathers Name: NYANESHWAR FADTE DESSAI House Number : 43/1 Age : 19 Gender : Male	YDX0510750 Photo Available	608 Name : Halesh Barker Fathers Name: Koteppa Barker House Number : 53 Age : 30 Gender : Male	YDX0400564 Photo Available
609 Name : Narayan Vaishnaw Fathers Name: Gokuldas Vaishnaw House Number : 86/1 Age : 52 Gender : Male	BTZ5469598 Photo Available	610 Name : Gayatri Vaishnaw Husbands Name: Narayan Vaishnaw House Number : 86/1 Age : 46 Gender : Female	BTZ5469606 Photo Available	611 Name : Deslina Pereira Husbands Name: Augustin Elias Amaral Farnandes House Number : 109/1 Age : 45 Gender : Female	BTZ5469887 Photo Available
612 Name : Pearl Cliffa Martins Fathers Name: Oswald Custodio Martins House Number : 115 Age : 29 Gender : Female	YDX0395609 Photo Available	613 Name : Crystal Coral Martins Fathers Name: Oswald Custodio Martins House Number : 115 Age : 28 Gender : Female	YDX0395491 Photo Available	S2 614 Name : Kotresh Kanvale Fathers Name: Hallappa Kanvale House Number : 116 Age : 54 Gender : Male	BTZ5460217 Photo Available
S2 615 Name : Yallamma Kanvale Husbands Name: Kotesah Kanvale House Number : 116 Age : 50 Gender : Female	BTZ5459599 Photo Available	616 Name : Cyrilo F. X. Pereira Fathers Name: Rosario Pereira House Number : 116 Age : 61 Gender : Male	FDW0107029 Photo Available	617 Name : Piema Pereira Fathers Name: Cyrilo Francico Xavier Pereira House Number : 116 Age : 21 Gender : Female	YDX0497453 Photo Available
618 Name : Margarita Vaz Husbands Name: Cirilo Francisco Xavier Pereira House Number : 116 Age : 53 Gender : Female	YDX0177089 Photo Available	619 Name : Mathew Fernandes Fathers Name: Anthony Fernandes House Number : 117 Age : 58 Gender : Male	BTZ5459060 Photo Available	620 Name : Jaffarsab Nalaban Fathers Name: Mirasab Nalaban House Number : 119 Age : 49 Gender : Male	BTZ1690403 Photo Available
621 Name : Bhanusab Nalaban Husbands Name: Jaffarsab Nalaban House Number : 119 Age : 46 Gender : Female	BTZ1690197 Photo Available	622 Name : Moula Ali Patwegar Fathers Name: Ibrahimsab Patwegar House Number : 119 Age : 47 Gender : Male	BTZ5459128 Photo Available	623 Name : Nasima Patwegar Husbands Name: Moula Ali Patwegar House Number : 119 Age : 39 Gender : Female	BTZ5459581 Photo Available
E 624 Name : Fatima Shaikh Fathers Name: Mirasab Shaikh House Number : 119 Age : 69 Gender : Female	YDX0178384 Photo Available	625 Name : Mahubi Shaikh Husbands Name: Yusuph Shaikh House Number : 119 Age : 64 Gender : Female	YDX0178236 Photo Available	626 Name : Nabi Shaikh Fathers Name: Yusuph Shaikh House Number : 119 Age : 48 Gender : Male	BTZ0138305 Photo Available



# 627 Name : Reshma Shaikh Husbands Name : Nabi Shaikh House Number : 119 Age : 39 Gender : Female	BTZ5459557 Photo Available	628 Name : Allabakshi Tamboli Fathers Name : Hajrisaib Tamboli House Number : 119/A Age : 64 Gender : Male	YDX0485136 Photo Available	629 Name : Sahedabi Tamboli Husbands Name : Allabakshi Tamboli House Number : 119/A Age : 59 Gender : Female	YDX0485128 Photo Available
630 Name : Dilshad Tamboli Fathers Name : Allabaksh Tamboli House Number : 119/A Age : 37 Gender : Female	BTZ5459664 Photo Available	631 Name : Gavsa Saab Tambuli Fathers Name : Allabaksha Tambuli House Number : 119/A Age : 32 Gender : Male	YDX0322164 Photo Available	632 Name : Sabiha Tambuli Husbands Name : Gavsa Saab Tambuli House Number : 119/A Age : 25 Gender : Female	NNA4483368 Photo Available
633 Name : Mamtaj Tumboli Fathers Name : Allabaksh Tumboli House Number : 119/A Age : 34 Gender : Female	YDX0358465 Photo Available	634 Name : Jose Francisco Socorro Fernandes Fathers Name : Apolinario Sebastiao Fernandes House Number : 120 Age : 61 Gender : Male	BTZ5460647 Photo Available	635 Name : Laura Fernandes Husbands Name : Jose Fernandes House Number : 120 Age : 57 Gender : Female	BTZ5460639 Photo Available
636 Name : Denzil Robert Fernandes Fathers Name : Jose F. S. Fernandes House Number : 120 Age : 28 Gender : Male	YDX0394403 Photo Available	637 Name : Vinod Naik Fathers Name : Ramchandra Naik House Number : 121 Age : 54 Gender : Male	BTZ5461850 Photo Available	638 Name : Vaishali Naik Husbands Name : Vinod Naik House Number : 121 Age : 49 Gender : Female	BTZ5461686 Photo Available
639 Name : Flory Martins Husbands Name : Oswald Martins House Number : 122 Age : 57 Gender : Female	BTZ5461728 Photo Available	640 Name : Oswald Martins Fathers Name : Nicolau Martins House Number : 122 Age : 57 Gender : Male	BTZ5460084 Photo Available	641 Name : Russell Groschen Martins Fathers Name : Oswald Custodio Martins House Number : 122 Age : 24 Gender : Male	YDX0424333 Photo Available
642 Name : Carmo R. Pereira Fathers Name : Francisco Pereira House Number : 122 Age : 50 Gender : Male	YDX0485078 Photo Available	643 Name : Suresh Naik Fathers Name : Sadhu Naik House Number : 123 Age : 64 Gender : Male	YDX0485060 Photo Available	644 Name : Snesha Naik Husbands Name : Suresh Naik House Number : 123 Age : 50 Gender : Female	BTZ0137810 Photo Available
645 Name : Sujay Naik Fathers Name : Suresh Naik House Number : 123 Age : 22 Gender : Male	YDX0427575 Photo Available	646 Name : Gangawati Raikar Husbands Name : Gansu Raikar House Number : 125 Age : 69 Gender : Female	YDX0485052 Photo Available	647 Name : Babesh Raikar Fathers Name : Gansu Raikar House Number : 125 Age : 46 Gender : Male	BTZ1690171 Photo Available
648 Name : Brijesh Raikar Fathers Name : Gansu Raikar House Number : 125 Age : 41 Gender : Male	BTZ0280065 Photo Available	649 Name : Suvarna Raikar Husbands Name : Brijesh Raikar House Number : 125 Age : 31 Gender : Female	YCC0356469 Photo Available	650 Name : Nevidade Fernandes Husbands Name : Agustin Fernandes House Number : 126 Age : 78 Gender : Female	YDX0485045 Photo Available
651 Name : Edvin Fernandes Mothers Name : Nevidade Fernandes House Number : 126 Age : 43 Gender : Male	BTZ1690882 Photo Available	652 Name : Akshay Gaonkar Fathers Name : Sandesh Gaonkar House Number : 126 Age : 26 Gender : Male	YDX0400556 Photo Available	653 Name : Cristina Ceolho Husbands Name : Titus P. Ceolho House Number : 128 Age : 79 Gender : Female	BTZ1690163 Photo Available
654 Name : Polly Coelho Fathers Name : Titus Coelho House Number : 128 Age : 56 Gender : Male	YDX0484998 Photo Available	655 Name : Gracie Mascarenhas Husbands Name : Shamira Policky Coelho House Number : 128 Age : 46 Gender : Female	BTZ5463088 Photo Available	656 Name : Maria Fernandes Husbands Name : Camilo Fernandes House Number : 129 Age : 73 Gender : Female	BTZ1690155 Photo Available



<p>657</p> <p>BTZ5462783</p> <p>Name : Evans Resildo Fernandes Fathers Name: Camilo Fernandes House Number : 129 Age : 37 Gender : Male</p> <p>Photo</p> <p>Available</p>	<p>658</p> <p>BTZ5154257</p> <p>Name : Kotippa Barker Fathers Name: Lingappa Barker House Number : 129/A Age : 54 Gender : Male</p> <p>Photo</p> <p>Available</p>	<p>659</p> <p>BTZ5154273</p> <p>Name : Vishala Barker Husbands Name: Kotippa Barker House Number : 129/A Age : 50 Gender : Female</p> <p>Photo</p> <p>Available</p>
<p>660</p> <p>YDX0484980</p> <p>Name : Lilia Isabel Barreto Alias Fernandes Husbands Name: Thomas Fernandes House Number : 130 Age : 57 Gender : Female</p> <p>Photo</p> <p>Available</p>	<p>661</p> <p>BTZ5460183</p> <p>Name : Thomas Fernandes Fathers Name: Eugenio Francisco Piedade Fernandes House Number : 130 Age : 62 Gender : Male</p> <p>Photo</p> <p>Available</p>	<p>662</p> <p>YDX0383695</p> <p>Name : Linton Fernandes Fathers Name: Thomas Fernandes House Number : 130 Age : 29 Gender : Male</p> <p>Photo</p> <p>Available</p>
<p>663</p> <p>YDX0394445</p> <p>Name : Tywin Fernandes Fathers Name: Thomas Fernandes House Number : 130 Age : 27 Gender : Male</p> <p>Photo</p> <p>Available</p>	<p>664</p> <p>YDX0427559</p> <p>Name : Tereson Fernandes Fathers Name: Thomas Fernandes House Number : 130 Age : 22 Gender : Male</p> <p>Photo</p> <p>Available</p>	<p>665</p> <p>YDX0418301</p> <p>Name : Anjos Fernandes Fathers Name: Albert Fernandes House Number : 131/1 Age : 24 Gender : Male</p> <p>Photo</p> <p>Available</p>
<p>666</p> <p>BTZ0138123</p> <p>Name : Sitabai Krisnanath Bhat Husbands Name: Krisnanath Bhat House Number : 132 Age : 77 Gender : Female</p> <p>Photo</p> <p>Available</p>	<p>667</p> <p>BTZ0137828</p> <p>Name : Hira Morajkar Buwa Husbands Name: Madhu Morajkar Buwa House Number : 132/A Age : 55 Gender : Female</p> <p>Photo</p> <p>Available</p>	<p>668</p> <p>BTZ0137778</p> <p>Name : Anuradha Prabhugaonkar Husbands Name: Anant Prabhugaonkar House Number : 133 Age : 72 Gender : Female</p> <p>Photo</p> <p>Available</p>
<p>E 669</p> <p>YDX0322172</p> <p>Name : Junius Peter Fernandes Fathers Name: Jose Inacio Fernandes House Number : 134/6 Age : 45 Gender : Male</p> <p>Photo</p> <p>Available</p>	<p>670</p> <p>YDX0322404</p> <p>Name : Minaxi Fernandes Husbands Name: Micheal Fernandes House Number : 134 Age : 45 Gender : Female</p> <p>Photo</p> <p>Available</p>	<p>671</p> <p>BTZ5449210</p> <p>Name : Jeanette Fernandes Husbands Name: Agnel Fernandes House Number : 134 Age : 40 Gender : Female</p> <p>Photo</p> <p>Available</p>
<p>672</p> <p>ZEV0319145</p> <p>Name : Sanita Fernandes Husbands Name: Evans Resildo Fernandes House Number : 134 Age : 30 Gender : Female</p> <p>Photo</p> <p>Available</p>	<p>673</p> <p>YDX0322891</p> <p>Name : Sneha Naik Husbands Name: Gajanan Naik House Number : 134 Age : 35 Gender : Female</p> <p>Photo</p> <p>Available</p>	<p>674</p> <p>YDX0501007</p> <p>Name : Shahataj Noori Husbands Name: Mansoor Khan House Number : 134/1 Age : 29 Gender : Female</p> <p>Photo</p> <p>Available</p>
<p>675</p> <p>BGW0777219</p> <p>Name : Manasubkhan Trivalli Fathers Name: Akbar khan House Number : 134/1 Age : 37 Gender : Male</p> <p>Photo</p> <p>Available</p>	<p>676</p> <p>YDX0484949</p> <p>Name : Nita Komarpant Husbands Name: Pradip Komarpant House Number : 135/H(B2) Age : 53 Gender : Female</p> <p>Photo</p> <p>Available</p>	<p>677</p> <p>YDX0388801</p> <p>Name : Pallavi Komarpant Fathers Name: Pradeep Komarpant House Number : 135/H(B2) Age : 28 Gender : Female</p> <p>Photo</p> <p>Available</p>
<p>678</p> <p>YDX0484931</p> <p>Name : Ulhas Bale Fathers Name: Gopal Bale House Number : 136 Age : 75 Gender : Male</p> <p>Photo</p> <p>Available</p>	<p>679</p> <p>YDX0484923</p> <p>Name : Rajita Bale Husbands Name: Ulhas Bale House Number : 136 Age : 71 Gender : Female</p> <p>Photo</p> <p>Available</p>	<p>680</p> <p>BTZ1690254</p> <p>Name : Ramdas Bale Fathers Name: Ulhas Bale House Number : 136 Age : 44 Gender : Male</p> <p>Photo</p> <p>Available</p>
<p>681</p> <p>BTZ0137968</p> <p>Name : Ramkrishna Bale Fathers Name: Ulhas Bale House Number : 136 Age : 42 Gender : Male</p> <p>Photo</p> <p>Available</p>	<p>682</p> <p>YDX0388298</p> <p>Name : Divya Bale Husbands Name: Ramkrishna Bale House Number : 136 Age : 36 Gender : Female</p> <p>Photo</p> <p>Available</p>	<p>683</p> <p>YDX0324442</p> <p>Name : Shritika Bale Husbands Name: Ramdas Bale House Number : 136 Age : 32 Gender : Female</p> <p>Photo</p> <p>Available</p>
<p>684</p> <p>YDX0497438</p> <p>Name : Nagma Begum Husbands Name: Sayyed Usman Kusugal House Number : 136/13 Age : 30 Gender : Female</p> <p>Photo</p> <p>Available</p>	<p>685</p> <p>YDX0394411</p> <p>Name : Prashant Katageri Fathers Name: Amoghshidda Katageri House Number : 136/B Age : 31 Gender : Male</p> <p>Photo</p> <p>Available</p>	<p>686</p> <p>YDX0381228</p> <p>Name : Ziya Fatima Kusugal Husbands Name: Khalandarbaba Kusugal House Number : 136/B Age : 36 Gender : Female</p> <p>Photo</p> <p>Available</p>



687	YDX0394486	Name : Mohammed Yaseen Kusugal Fathers Name: Sajjad Ahmad Kusugal House Number : 136/B Age : 30 Gender : Male	Photo Available	688	YDX0334417	Name : Sayyed Usman Fathers Name: Sajjad Ahmad Kusugal House Number : 136/B Age : 32 Gender : Male	Photo Available	689	BTZ0138222	Name : Chaya Prabhu Husbands Name: Govind Prabhu House Number : 137 Age : 74 Gender : Female	Photo Available
690	YDX0484907	Name : Venkatesh Prabhu Fathers Name: Govind Prabhu House Number : 137 Age : 49 Gender : Male	Photo Available	691	BTZ5462379	Name : Pavitra Prabhu Husbands Name: Venkatesh Prabhu House Number : 137 Age : 43 Gender : Female	Photo Available	692	BTZ0138263	Name : Mohan Hosalkar Fathers Name: Yeshwant Hosalkar House Number : 137/D Age : 84 Gender : Male	Photo Available
E 693	YDX0484899	Name : Lalita Hosalkar Husbands Name: Mohan Hosalkar House Number : 137/D Age : 74 Gender : Female	Photo Available	694	YDX0484881	Name : Prakash Hosalkar Fathers Name: Mohan Hosalkar House Number : 137/D Age : 54 Gender : Male	Photo Available	695	BTZ5472816	Name : Deepa Hosalkar Husbands Name: Prakash Hosalkar House Number : 137/D Age : 47 Gender : Female	Photo Available
696	YDX0484873	Name : Sham Bale Fathers Name: Gopal Bale House Number : 137/E Age : 79 Gender : Male	Photo Available	697	YDX0484865	Name : Sunita Bale Husbands Name: Shyam Bale House Number : 137/E Age : 74 Gender : Female	Photo Available	698	YDX0484857	Name : Jairam Bale Fathers Name: Shyam Bale House Number : 137/E Age : 50 Gender : Male	Photo Available
699	BTZ5461652	Name : Sneha Bale Husbands Name: Jairam Bale House Number : 137/E Age : 44 Gender : Female	Photo Available	700	BTZ0027326	Name : Sundar Bale Fathers Name: Gopal Bale House Number : 137/F Age : 77 Gender : Male	Photo Available	701	YDX0484840	Name : Vanita Bale Husbands Name: Sundar Bale House Number : 137/F Age : 76 Gender : Female	Photo Available
702	BTZ5462734	Name : Shriram Bale Fathers Name: Sundar Bale House Number : 137/F Age : 53 Gender : Male	Photo Available	703	BTZ5461660	Name : Poomima Bale Husbands Name: Shriram Bale House Number : 137/F Age : 45 Gender : Female	Photo Available	S 704	BTZ5462908	Name : Conceicao Maria Barretto Husbands Name: John R Barretto House Number : 137/G Age : 61 Gender : Female	Photo Available
705	YDX0484709	Name : Uday Bale Fathers Name: Gopal Bale House Number : 137/H Age : 72 Gender : Male	Photo Available	706	BTZ0137836	Name : Urjita Bale Husbands Name: Uday Bale House Number : 137/H Age : 69 Gender : Female	Photo Available	707	YDX0354985	Name : Cristina Fernandes Husbands Name: Santana Fernandes House Number : 138/1 Age : 56 Gender : Female	Photo Available
708	BTZ1690148	Name : Sandesh Gaonkar Fathers Name: Ghurako Gaonkar House Number : 138/A Age : 49 Gender : Male	Photo Available	709	BTZ1690627	Name : Sanisha Gaonkar Husbands Name: Sandesh Gaonkar House Number : 138/A Age : 47 Gender : Female	Photo Available	710	YDX0407445	Name : Akshada Gaonkar Fathers Name: Sandesh Gaonkar House Number : 138/A Age : 25 Gender : Female	Photo Available
711	BTZ3930187	Name : Afzalbegaum Khan Kusugal Fathers Name: Rahimkhan Khan Kusugal House Number : 138/F Age : 84 Gender : Female	Photo Available	712	YDX0484683	Name : Sajjad A. M. D. Kusugal Fathers Name: M. D. Saleha Kusugal House Number : 138/F Age : 66 Gender : Male	Photo Available	713	YDX0484675	Name : Maktumbi Kusugal Husbands Name: Sajjad A. Kusugal House Number : 138/F Age : 64 Gender : Female	Photo Available
714	BTZ5461009	Name : Khalandarababa Kusugal Fathers Name: Sajjad A. Kusugal House Number : 138/F Age : 38 Gender : Male	Photo Available	715	YDX0171306	Name : Nandan Naik Fathers Name: Ramchandra Naik House Number : 138/G Age : 51 Gender : Male	Photo Available	716	YDX0484626	Name : Shyam Naik Fathers Name: Ramchandra Naik House Number : 138/G Age : 49 Gender : Male	Photo Available



<p>717</p> <p>Name : Manoj Naik Fathers Name: Ramchandra Naik House Number : 138/G Age : 47 Gender : Male</p> <p>Photo Available</p>	<p>YDX0484618</p>	<p>718</p> <p>Name : Salma Naik Husbands Name: Sham Naik House Number : 138/G Age : 43 Gender : Female</p> <p>Photo Available</p>	<p>BTZ5476981</p>	<p>719</p> <p>Name : Anju Naik Husbands Name: Nandan Naik House Number : 138/G Age : 38 Gender : Female</p> <p>Photo Available</p>	<p>DZX4010633</p>
<p>E 720</p> <p>Name : Arun Chari Fathers Name: Gownd Chari House Number : 139/H Age : 75 Gender : Male</p> <p>Photo Available</p>	<p>BTZ5462007</p>	<p>721</p> <p>Name : Babu Raikar Fathers Name: Putu Raikar House Number : 139 Age : 77 Gender : Male</p> <p>Photo Available</p>	<p>BTZ0138065</p>	<p>722</p> <p>Name : Bharti Raikar Husbands Name: Babu Raikar House Number : 139 Age : 67 Gender : Female</p> <p>Photo Available</p>	<p>BTZ0138073</p>
<p>723</p> <p>Name : Ratnakar Raikar Fathers Name: Putu Raikar House Number : 139/A Age : 80 Gender : Male</p> <p>Photo Available</p>	<p>YDX0484592</p>	<p>724</p> <p>Name : Ratnabai Raikar Husbands Name: Ratnakar Raikar House Number : 139/A Age : 72 Gender : Female</p> <p>Photo Available</p>	<p>YDX0484584</p>	<p>725</p> <p>Name : Netty Baretto Husbands Name: Albert Jaques House Number : 140 Age : 53 Gender : Female</p> <p>Photo Available</p>	<p>YDX0484550</p>
<p>726</p> <p>Name : Preston Sowell Jacques Fathers Name: Albert Jacques House Number : 140 Age : 27 Gender : Male</p> <p>Photo Available</p>	<p>YDX0397406</p>	<p>727</p> <p>Name : Kiefer Lajos Jacques Fathers Name: Albert Jacques House Number : 140 Age : 24 Gender : Male</p> <p>Photo Available</p>	<p>YDX0418343</p>	<p>728</p> <p>Name : Parpet Jacques Husbands Name: Feliciano Jacques House Number : 140 Age : 69 Gender : Female</p> <p>Photo Available</p>	<p>YDX0484576</p>
<p>729</p> <p>Name : Albert Jaques Fathers Name: Feliciano Jaques House Number : 140 Age : 57 Gender : Male</p> <p>Photo Available</p>	<p>YDX0484568</p>	<p>730</p> <p>Name : Wilfred Jaques Fathers Name: Feliciano Jaques House Number : 140 Age : 53 Gender : Male</p> <p>Photo Available</p>	<p>YDX0484451</p>	<p>731</p> <p>Name : Treza Tiantona Cardoz Husbands Name: Alberto Jose Fernandes House Number : 140/A Age : 46 Gender : Female</p> <p>Photo Available</p>	<p>BTZ0138321</p>
<p>732</p> <p>Name : Jose Antonio Fernandes Fathers Name: Joao Fernandes House Number : 140/A Age : 88 Gender : Male</p> <p>Photo Available</p>	<p>YDX0484444</p>	<p>733</p> <p>Name : Claudina Santana Caetana Fernandes Husbands Name: Jose Antonio Fernandes House Number : 140/A Age : 85 Gender : Female</p> <p>Photo Available</p>	<p>YDX0176214</p>	<p>734</p> <p>Name : Nicael Maria Fernandes Fathers Name: Jose Antonio Fernandes House Number : 140/A Age : 59 Gender : Female</p> <p>Photo Available</p>	<p>BTZ0138156</p>
<p>735</p> <p>Name : Alberto Jose Fernandes Fathers Name: Jose Antonio Fernandes House Number : 140/A Age : 55 Gender : Male</p> <p>Photo Available</p>	<p>YDX0484436</p>	<p>736</p> <p>Name : Priyanka Nair Fathers Name: Ravi Nair House Number : 140/A Age : 32 Gender : Female</p> <p>Photo Available</p>	<p>YDX0378232</p>	<p>737</p> <p>Name : Branisha Nair Fathers Name: Ravi Nair House Number : 140/A Age : 26 Gender : Female</p> <p>Photo Available</p>	<p>YDX0397943</p>
<p>738</p> <p>Name : Amaral Socorro Cardoz Fathers Name: Antonio Francisco Cardoz House Number : 141 Age : 71 Gender : Male</p> <p>Photo Available</p>	<p>YDX0177899</p>	<p>739</p> <p>Name : Maria Cardoz Husbands Name: A. Socorro Cardoz House Number : 141 Age : 64 Gender : Female</p> <p>Photo Available</p>	<p>YDX0484428</p>	<p>740</p> <p>Name : Cloisall Cardoz Fathers Name: Amaral Succor Cardoz House Number : 141 Age : 38 Gender : Female</p> <p>Photo Available</p>	<p>BTZ5475439</p>
<p>741</p> <p>Name : Classy Cardoz Fathers Name: Amaral Cardoz House Number : 141 Age : 33 Gender : Female</p> <p>Photo Available</p>	<p>YDX0322198</p>	<p>742</p> <p>Name : Clela Cardoz Fathers Name: Amaral Socorro Cardoz House Number : 141 Age : 26 Gender : Female</p> <p>Photo Available</p>	<p>YDX0396788</p>	<p>743</p> <p>Name : Clarissa Cardoz Fathers Name: Amaral Socorro Cardoz House Number : 141 Age : 23 Gender : Female</p> <p>Photo Available</p>	<p>YDX0423749</p>
<p>744</p> <p>Name : Kavita Gadakar Husbands Name: Satish Gadakar House Number : 141 Age : 45 Gender : Female</p> <p>Photo Available</p>	<p>YDX0411611</p>	<p>S2 745</p> <p>Name : Natalie Olivia Rebelo Fathers Name: Simon Rebelo House Number : 141 Age : 60 Gender : Female</p> <p>Photo Available</p>	<p>BTZ5475447</p>	<p>746</p> <p>Name : Sunil Naik Fathers Name: Vishram Naik House Number : 141/B Age : 46 Gender : Male</p> <p>Photo Available</p>	<p>BTZ5459474</p>



#2 747 Name : Sunita Naik Husbands Name: Sunil Naik House Number : 141/B Age : 42 Gender : Female	BTZ5459466 Photo Available	748 Name : SAHIL NAIK Fathers Name: SUNIL NAIK House Number : 141/B Age : 20 Gender : Male	YDX0506865 Photo Available	749 Name : Abdul Hamid Sayad Fathers Name: Abdul Khadar Sayad House Number : 141/C Age : 43 Gender : Male	YDX0172064 Photo Available
E 750 Name : Abdul Rahim Sayad Fathers Name: Abdul Khadar Sayad House Number : 141/C Age : 42 Gender : Male	YDX0172072 Photo Available	751 Name : Rajesh Devadiga Fathers Name: Krishna Devadiga House Number : 142 Age : 47 Gender : Male	YDX0502153 Photo Available	752 Name : Geeta Devadiga Husbands Name: Rajesh Devadiga House Number : 142 Age : 41 Gender : Female	DNQ1112432 Photo Available
753 Name : Neves Fernandes Fathers Name: Antonio Benedito Fernandes House Number : 142 Age : 57 Gender : Male	BTZ0138206 Photo Available	754 Name : Alvita Fernanda Fernandes Fathers Name: Neves Fernandes House Number : 142 Age : 20 Gender : Female	YDX0507285 Photo Available	755 Name : Melvita Vas Fathers Name: Antonio Santana Vas House Number : 142 Age : 29 Gender : Female	YDX0400143 Photo Available
756 Name : Aurelia Viegas Husbands Name: Neves Fernandes House Number : 142 Age : 50 Gender : Female	BTZ5166038 Photo Available	757 Name : Annappa Agashi Bagilu Fathers Name: Fakirappa Agashi Bagilu House Number : 142/A Age : 47 Gender : Male	BTZ5477377 Photo Available	758 Name : Shilpa Agashi Bagilu Husbands Name: Annappa Agashi Bagilu House Number : 142/A Age : 39 Gender : Female	YDX0289074 Photo Available
759 Name : Shashi Shing Husbands Name: Ajay Shing House Number : 143 Age : 55 Gender : Female	BTZ5461793 Photo Available	760 Name : Ajai Kumar Singh Fathers Name: Basant Kumar Singh House Number : 143 Age : 53 Gender : Male	BTZ5461801 Photo Available	761 Name : Amir Khan Saushi Fathers Name: Sharif Khan Saushi House Number : 143/F Age : 45 Gender : Male	BTZ5462403 Photo Available
762 Name : Gulab Khan Saushi Fathers Name: Sharif Khan Saushi House Number : 143/F Age : 39 Gender : Male	BTZ5462338 Photo Available	763 Name : Soma Halder Husbands Name: Krishna Halder House Number : 143/H Age : 35 Gender : Female	YDX0502161 Photo Available	S 764 Name : Sathyan Fathers Name: Madhavan House Number : 143/H Age : 78 Gender : Male	BTZ5462700 Photo Available
765 Name : Alex Dias Fathers Name: Winson Dias House Number : 144 Age : 41 Gender : Male	BTZ5462429 Photo Available	766 Name : Kalpana Raikar Husbands Name: Ravindra Raikar House Number : 148 Age : 64 Gender : Female	YDX0484253 Photo Available	767 Name : Viraj Raikar Fathers Name: Ravindra Raikar House Number : 148 Age : 31 Gender : Male	YDX0334391 Photo Available
768 Name : Priyanka Raikar Husbands Name: Viraj Raikar House Number : 148 Age : 27 Gender : Female	SES0402966 Photo Available	769 Name : Prasad Raikar Fathers Name: Mukund Raikar House Number : 148/1 Age : 55 Gender : Male	YDX0289249 Photo Available	770 Name : Manisha Raikar Husbands Name: Prasad Raikar House Number : 148/1 Age : 50 Gender : Female	BTZ1690502 Photo Available
771 Name : Tanvi Raikar Fathers Name: Prasad Raikar House Number : 148/1 Age : 24 Gender : Female	YDX0425462 Photo Available	772 Name : Prasiddhi Raikar Fathers Name: Prasad Raikar House Number : 148/1 Age : 23 Gender : Female	YDX0425454 Photo Available	S 773 Name : Umesh Mangeshkar Fathers Name: Shanka Mangeshkar House Number : 148/A Age : 46 Gender : Male	BTZ5460514 Photo Available
S 774 Name : Sunanda Mangeshkar Husbands Name: Umesh Mangeshkar House Number : 148/A Age : 41 Gender : Female	BTZ5460506 Photo Available	775 Name : Nalini Raikar Husbands Name: Ashok Raikar House Number : 149 Age : 61 Gender : Female	BTZ0137893 Photo Available	776 Name : Amit Raikar Fathers Name: Ashok Raikar House Number : 149 Age : 40 Gender : Male	BTZ5471172 Photo Available



777 Name : Soniya Raikar Husbands Name: Amit Raikar House Number : 149 Age : 39 Gender : Female	YDX0358440 Photo Available	778 Name : Ajit Raikar Fathers Name: Ashok Raikar House Number : 149 Age : 39 Gender : Male	BTZ5460837 Photo Available	779 Name : Amita Raikar Husbands Name: Ajit Raikar House Number : 149 Age : 37 Gender : Female	YDX0380303 Photo Available
780 Name : Alarama Mestri Husbands Name: Damodar Mestri House Number : 150 Age : 64 Gender : Female	YDX0289280 Photo Available	781 Name : Anusha Mudliar Fathers Name: Jagan Mudliar House Number : 150 Age : 19 Gender : Female	YDX0510966 Photo Available	782 Name : Ajida Fathers Name: Damodar House Number : 150 Age : 42 Gender : Female	BTZ1690908 Photo Available
783 Name : Aneesh Paniker Fathers Name: P.A.Damodar Paniker House Number : 150 Age : 39 Gender : Male	YDX0289298 Photo Available	784 Name : Veronica De Sa Husbands Name: Ubaldo Teles House Number : 151 Age : 63 Gender : Female	BTZ1690437 Photo Available	785 Name : Rockson Valentino Teles Fathers Name: Ubaldo Teles House Number : 151 Age : 32 Gender : Male	YDX0322206 Photo Available
786 Name : Caximo Antonio Barreto Fathers Name: Sebastiao Barreto House Number : 152 Age : 57 Gender : Male	BTZ0280016 Photo Available	787 Name : Alonsa Barreto Fathers Name: Caximo Antonio Barreto House Number : 152 Age : 26 Gender : Female	YDX0396796 Photo Available	788 Name : Mira Fatima Fernandes Husbands Name: Caximo Antonio Barreto House Number : 152 Age : 50 Gender : Female	BTZ0280024 Photo Available
789 Name : Sakshi Naik Gaonkar Fathers Name: Bhikaro Naik Gaonkar House Number : 158 Age : 22 Gender : Female	YDX0427591 Photo Available	790 Name : Fazlun Sayyad Fathers Name: Mehmod Sayyad House Number : 159 Age : 39 Gender : Female	YDX0413443 Photo Available	791 Name : Altaf Hussain Shaikh Fathers Name: Feroz Shaikh House Number : 159 Age : 19 Gender : Male	YDX0510982 Photo Available
E 792 Name : Mahamood Syed Fathers Name: Umar Syed House Number : 159 Age : 81 Gender : Male	BTZ1690262 Photo Available	793 Name : Noorjahan Syed Husbands Name: Mahamood Syed House Number : 159 Age : 74 Gender : Female	BTZ5164371 Photo Available	794 Name : Ashraf Syed Fathers Name: Mahamood Syed House Number : 159 Age : 48 Gender : Male	BTZ1690387 Photo Available
795 Name : Heena Syed Husbands Name: Ashraf Syed House Number : 159 Age : 44 Gender : Female	BTZ5462494 Photo Available	796 Name : Javeed Syed Fathers Name: Mahamood Syed House Number : 159 Age : 42 Gender : Male	BTZ1690353 Photo Available	797 Name : Sayeeda Syed Fathers Name: Mahamood Syed House Number : 159 Age : 39 Gender : Female	BTZ5164389 Photo Available
# 798 Name : Nazima Mohammad Sayyed Husbands Name: Fairoz Ahmad Shaikh House Number : 159/A Age : 44 Gender : Female	BTZ1690221 Photo Available	799 Name : Fairoz Shaikh Fathers Name: Ahmad Hussain Shaikh House Number : 159/A Age : 48 Gender : Male	BTZ3401858 Photo Available	800 Name : Maria Selvina Placida E. Fernandes Husbands Name: Eduardo Jose Meneses Braganca House Number : 160 Age : 55 Gender : Female	YDX0177048 Photo Available
801 Name : Edrich Meneses Braganca Fathers Name: Eduardo Jose Meneses Braganca House Number : 160 Age : 26 Gender : Male	YDX0401638 Photo Available	R2 802 Name : Maria De Lourdes Antonieta Menezes Braganza Fathers Name: Nelson Antonio Filomeno Menezes Braganza House Number : 160 Age : 52 Gender : Female	YDX0344242 Photo Available	803 Name : Shamini Desai Husbands Name: Ghanashyam Desai House Number : 162 Age : 69 Gender : Female	BTZ1842269 Photo Available
804 Name : Balash Desai Fathers Name: Ghanashyam Desai House Number : 162 Age : 37 Gender : Male	YDX0300210 Photo Available	805 Name : Amresh Desai Fathers Name: Ghanashyam Desai House Number : 162 Age : 34 Gender : Male	YDX0300244 Photo Available	806 Name : Kalida Begum Fathers Name: Khadarsab Sarad House Number : 165 Age : 40 Gender : Female	BTZ5460886 Photo Available



807 Name : Mhabubi Sarad Husbands Name: Kadarsab Sarad House Number : 165 Age : 62 Gender : Female	YDX0484212 Photo Available	808 Name : Salim Javeed Sarad Fathers Name: Kadarsab Sarad House Number : 165 Age : 42 Gender : Male	BTZ0280081 Photo Available	809 Name : Arif Ahmed Sarad Fathers Name: Kadarsab Sarad House Number : 165 Age : 39 Gender : Male	BTZ5460894 Photo Available
810 Name : Aktar Sarad Fathers Name: Kadarsab Sarad House Number : 165 Age : 37 Gender : Male	BTZ5460902 Photo Available	811 Name : Malti Sarad Husbands Name: Arif Ahamed Sarad House Number : 165 Age : 37 Gender : Female	BTZ5448782 Photo Available	812 Name : Khairunissa Sayed Husbands Name: Salim Javeed Sarad House Number : 165 Age : 35 Gender : Female	URX0312280 Photo Available
813 Name : Shagufta Sayed Fathers Name: Usman Sayed House Number : 165 Age : 27 Gender : Female	NYX0346114 Photo Available	814 Name : Nikita Desai Husbands Name: Kiran Desai House Number : 166/F Age : 47 Gender : Female	YDX0179424 Photo Available	815 Name : Kinita Desai Fathers Name: Kiran Desai House Number : 166/F Age : 23 Gender : Female	YDX0423996 Photo Available
E 816 Name : Yashoda Desai Husbands Name: Laxman Desai House Number : 167 Age : 85 Gender : Female	YDX0350884 Photo Available	817 Name : Dayanand Desai Fathers Name: Laxman Desai House Number : 167 Age : 50 Gender : Male	YDX0172106 Photo Available	818 Name : Deepak Desai Fathers Name: Laxman Desai House Number : 167 Age : 48 Gender : Male	BTZ5449434 Photo Available
819 Name : Abhilasha Desai Husbands Name: Dayanand Desai House Number : 167 Age : 47 Gender : Female	BTZ5446471 Photo Available	820 Name : Akshada Desai Husbands Name: Deepak Desai House Number : 167 Age : 43 Gender : Female	BTZ5461819 Photo Available	821 Name : Prateek Hosalkar Fathers Name: Prakash Hosalkar House Number : 167 Age : 24 Gender : Male	YDX0491092 Photo Available
822 Name : Deepak Naik Fathers Name: Digambar Naik House Number : 175/A Age : 22 Gender : Male	YDX0499640 Photo Available	823 Name : Jabiulla a Fathers Name: Abdul Azeed House Number : 177 Age : 32 Gender : Male	YDX0413419 Photo Available	824 Name : Afroza Bisalahalli Husbands Name: Abdul Rafik Bisalahalli House Number : 177 Age : 33 Gender : Female	LPZ0391912 Photo Available
825 Name : Jabivulla Bisalalli Fathers Name: Rehamansab Bisalalli House Number : 177 Age : 40 Gender : Male	YDX0413427 Photo Available	826 Name : Asma Bi Bisalalli Husbands Name: Zabi Ulla Bisalalli House Number : 177 Age : 37 Gender : Female	YDX0387761 Photo Available	827 Name : Muskan Shaikh Fathers Name: Mohammad Imtiyaz Shaikh House Number : 180 Age : 20 Gender : Female	YDX0502534 Photo Available
828 Name : Mangala Shinde Husbands Name: Ramchandra Shinde House Number : 182/A Age : 54 Gender : Female	BTZ1690338 Photo Available	829 Name : Maheesh Vaishnav Fathers Name: Narayan Das Vaishnav House Number : 186 Age : 26 Gender : Male	YDX0401802 Photo Available	830 Name : Pinku Vaishnav Fathers Name: Narayandas Vaishnav House Number : 186 Age : 24 Gender : Female	YDX0417634 Photo Available
831 Name : Alka Kotharkar Husbands Name: Laxman Kotharkar House Number : 195 Age : 69 Gender : Female	YDX0484204 Photo Available	832 Name : Arushi Kotharkar Husbands Name: Anand Kotharkar House Number : 195 Age : 42 Gender : Female	NZM5145834 Photo Available	833 Name : Moesha Kenkre Fathers Name: Purnanand Kenkre House Number : 200 Age : 20 Gender : Female	YDX0502526 Photo Available
834 Name : Bhavana Raikar Husbands Name: Bobesh Raikar House Number : 213 Age : 38 Gender : Female	YDX0331272 Photo Available	835 Name : Elvis Fernandes Fathers Name: Agustin Fernandes House Number : 214 Age : 54 Gender : Male	YDX0425835 Photo Available	836 Name : Mahi Naik Husbands Name: Manoj Naik House Number : 219 Age : 41 Gender : Female	YDX0355842 Photo Available



837 Name : RAHUL NAIK Fathers Name : VINOD NAIK House Number : 219 Age : 21 Gender : Male	YDX0492488 Photo Available	838 Name : Agnes Dias Husbands Name : Santana Dias House Number : 222 Age : 42 Gender : Female	BTZ0137943 Photo Available	839 Name : Alisha Dias Fathers Name : Santan Dias House Number : 222 Age : 22 Gender : Female	YDX0427617 Photo Available
840 Name : Darshan Naik Gaonkar Fathers Name : Pissolo Naik Gaonkar House Number : 223 Age : 56 Gender : Male	BTZ5158712 Photo Available	841 Name : Salma Naik Gaonkar Husbands Name : Darshan Naik Gaonkar House Number : 223 Age : 46 Gender : Female	BTZ5158704 Photo Available	842 Name : Krutika Naik Gaonkar Fathers Name : Darshan Naik Gaonkar House Number : 223 Age : 25 Gender : Female	YDX0404442 Photo Available
843 Name : Sanskruti Naik Gaonkar Fathers Name : Darshan Naik Gaonkar House Number : 223 Age : 22 Gender : Female	YDX0427625 Photo Available	844 Name : Pooja Sawant Husbands Name : Gopalkrishna Sawant House Number : 224/2 Age : 58 Gender : Female	BTZ5469515 Photo Available	845 Name : Kajal Sawant Fathers Name : Gopalkrishna Sawant House Number : 224/2 Age : 29 Gender : Female	YDX0380642 Photo Available
846 Name : Gagan Sawant Fathers Name : Gopalkrishna Sawant House Number : 224/2 Age : 27 Gender : Male	YDX0389403 Photo Available	847 Name : Ovina Fernandes Fathers Name : Fredy Santan Fernandes House Number : 226 Age : 34 Gender : Female	YDX0346775 Photo Available	848 Name : Sweedon Floyd Fernandes Fathers Name : Santana Fernandes House Number : 226 Age : 29 Gender : Male	YDX0374728 Photo Available
849 Name : Sileeka Naik Fathers Name : Surexa Naik House Number : 260 Age : 28 Gender : Female	YDX0383778 Photo Available	850 Name : Santosh Desai Fathers Name : Datta Desai House Number : 445-A-5 Age : 65 Gender : Male	YDX0369793 Photo Available	851 Name : Pooja Desai Fathers Name : Santosh Desai House Number : 445-A-5 Age : 31 Gender : Female	YDX0369827 Photo Available
852 Name : Shubhada Dessai Husbands Name : Santosh Dessai House Number : 445-A-5 Age : 46 Gender : Female	YDX0369835 Photo Available	S2 853 Name : Devraj Kanauli Fathers Name : Kotresh Kanauli House Number : 401 Age : 27 Gender : Male	YDX0389395 Photo Available	854 Name : Sandeep Desai Fathers Name : Kushali Desai House Number : F II Age : 55 Gender : Male	YDX0473652 Photo Available
855 Name : Susmita Desai Husbands Name : Sandeep Desai House Number : F II Age : 50 Gender : Female	BTZ5448634 Photo Available	856 Name : Ashok Naik Fathers Name : Tukaram Naik House Number : F.NO.2/156/F-4 Age : 51 Gender : Male	BTZ5448535 Photo Available	857 Name : Prathamesh Naik Fathers Name : Ashok Naik House Number : Flat No.2/156/F-4 Age : 22 Gender : Male	YDX0427583 Photo Available
858 Name : Pratik Sandip Desai Fathers Name : Sandip Desai House Number : H.No.F II-1 Age : 18 Gender : Male	YDX0513028 Photo Available	859 Name : Vijayanand Sakhalkar Fathers Name : Anandu Sakhalkar House Number : Qn D-4 Age : 58 Gender : Male	BTZ3401791 Photo Available	860 Name : Vaishali Sakhalkar Husbands Name : Vijayanand Sakhalkar House Number : Qn D-4 Age : 52 Gender : Female	BTZ3401841 Photo Available
861 Name : Ashish Sakhalkar Fathers Name : Vijayanand Sakhalkar House Number : Qn D-4 Age : 28 Gender : Male	YDX0382556 Photo Available	862 Name : Amisha Sakhalkar Fathers Name : Vijayanand Sakhalkar House Number : Qn D-4 Age : 21 Gender : Female	YDX0492447 Photo Available	863 Name : Anandu Gunagi Fathers Name : Narayan Gunagi House Number : Qn B-5 Age : 67 Gender : Male	YDX0483867 Photo Available
864 Name : Maya Gunaji Husbands Name : Anand Gunaji House Number : QN B-5 Age : 61 Gender : Female	YDX0483974 Photo Available	S 865 Name : Avinash Kotharkar Fathers Name : Laxman Kotharkar House Number : QN D-6 Age : 49 Gender : Male	YDX0353086 Photo Available	R2 866 Name : Gurupal Hosmani Fathers Name : Gangaram Hosmani House Number : QN B-7 Age : 55 Gender : Male	BTZ5461074 Photo Available



Section No and Name 2-Near Govt. Primary Health Centre, Sheller

867 Name : Shrikant Naik Fathers Name: Shaba Naik House Number : Qn B-8 Age : 69 Gender : Male	YDX0483859 Photo Available	868 Name : Suchita Naik Husbands Name: Shrikant Naik House Number : QN B-8 Age : 60 Gender : Female	YDX0483966 Photo Available	869 Name : Shanu Naik Fathers Name: Shaba Naik House Number : QN B-8 Age : 57 Gender : Male	BTZ1690619 Photo Available
#2 870 Name : Sushant Naik Fathers Name: Shrikant Naik House Number : Qn B-8 Age : 31 Gender : Male	YDX0348995 Photo Available	E2 871 Name : Navanath Tamse Fathers Name: Naranjan Tamse House Number : QN D-8 Age : 76 Gender : Male	YDX0483883 Photo Available	872 Name : Nelish Tamse Fathers Name: Navanath Tamse House Number : Qn D-8 Age : 50 Gender : Male	BTZ1690312 Photo Available
E2 873 Name : Nitesh Tamse Fathers Name: Navanath Tamse House Number : QN D-8 Age : 49 Gender : Male	YDX0483875 Photo Available	874 Name : Nidhi Tamse Husbands Name: Nelish Tamse House Number : Qn D-8 Age : 41 Gender : Female	YDX0407080 Photo Available	S 875 Name : Nifa Tamse Fathers Name: Navanath Tamse House Number : QN D-8 Age : 39 Gender : Female	BTZ5460308 Photo Available
876 Name : Suryakant Sawal Fathers Name: Vasudev Sawal House Number : QN B-11 Age : 60 Gender : Male	YDX0483982 Photo Available	877 Name : Supriya Sawal Husbands Name: Suryakant Sawal House Number : QN B-11 Age : 53 Gender : Female	BTZ5460126 Photo Available	878 Name : Sumit Sawal Fathers Name: Suryakant Sawal House Number : Qn B-11 Age : 28 Gender : Male	YDX0382549 Photo Available



1- List of Additions 1 (27-10-2023 04-01-2024)

<p>879 1 YDX0514752</p> <p>Name : Rossmund Manuel Gracias Fathers Name: Sigmund Gerald Socorro Gracias House Number : 9B/C Age : 18 Gender : Male</p> <p>Photo Available</p>	<p>880 1 YDX0514760</p> <p>Name : Rajdeep Royal Gracias Fathers Name: Hemant Pavel Gracias House Number : 09 Age : 18 Gender : Male</p> <p>Photo Available</p>	<p>881 2 YDX0514778</p> <p>Name : Alloysius Travis Fernandes Fathers Name: Alberto Jose Fernandes House Number : 140/A Age : 18 Gender : Male</p> <p>Photo Available</p>
<p>882 1 YDX0514786</p> <p>Name : Anagha Shivshankar Kenkre Fathers Name: Shivshankar Kenkre House Number : 17/F Age : 18 Gender : Female</p> <p>Photo Available</p>	<p>#2 883 1 REX0359372</p> <p>Name : Jayashree Prasmit Bhangle Husbands Name: Prasmit Bhangle House Number : 187/s2 Age : 27 Gender : Female</p> <p>Photo Available</p>	<p>884 2 YDX0516997</p> <p>Name : Mrunal Deepak Desai Fathers Name: Deepak Desai House Number : 167 Age : 18 Gender : Male</p> <p>Photo Available</p>
<p>885 1 YDX0368118</p> <p>Name : Karuna Devidas Husbands Name: Krishna Devidas House Number : 109/II Age : 36 Gender : Female</p> <p>Photo Available</p>	<p>886 1 YDX0444216</p> <p>Name : Krishna Devidas Mothers Name: Gokul Devidas House Number : 109/II Age : 49 Gender : Male</p> <p>Photo Available</p>	<p>887 1 YDX0518142</p> <p>Name : Alida Fernandes Fathers Name: Agnelo Fernandes House Number : 1/2 Age : 18 Gender : Female</p> <p>Photo Available</p>
<p>888 1 SLI0459040</p> <p>Name : Maheshwar Babasaheb Khandekar Fathers Name: Babasaheb Khandekar House Number : 2/224/BF4 Age : 20 Gender : Male</p> <p>Photo Available</p>	<p>889 1 SLI0445767</p> <p>Name : Vishnu Mohan Khandekar Fathers Name: Mohan Khandekar House Number : 2/224/BF4 Age : 34 Gender : Male</p> <p>Photo Available</p>	<p>890 1 SLI0445759</p> <p>Name : Deepa Vishnu Khandekar Husbands Name: Vishnu Mohan Khandekar House Number : 2/224/BF4 Age : 28 Gender : Female</p> <p>Photo Available</p>



1- List of Additions 2 (02-01-2024 19-04-2024)

<p>891 1 BTZ5449749</p> <p>Name : Ramita Komarpant Husbands Name: Ramesh Komarpant House Number : 85/2(3) Age : 49 Gender : Female</p> <p>Photo Available</p>	<p>892 1 YDX0507830</p> <p>Name : Arpita Komarpant Fathers Name: Ramesh Komarpant House Number : 85/2(3) Age : 20 Gender : Female</p> <p>Photo Available</p>	<p>893 1 YDX0519389</p> <p>Name : Franky Gracias Fathers Name: Patrick Gracias House Number : 15 Age : 54 Gender : Male</p> <p>Photo Available</p>
<p>894 1 YDX0519397</p> <p>Name : Luiza Maria Brito Husbands Name: Franky Gracias House Number : 15 Age : 46 Gender : Female</p> <p>Photo Available</p>	<p>895 2 YDX0519488</p> <p>Name : Sanket Ashok Naik Fathers Name: Ashok Tukaram Naik House Number : 156/F-4 Age : 19 Gender : Male</p> <p>Photo Available</p>	<p>896 1 YDX0519686</p> <p>Name : Eusebio Richard Gracias Fathers Name: Augustinho Gracias House Number : 106 Age : 55 Gender : Male</p> <p>Photo Available</p>
<p>897 1 UNI3618980</p> <p>Name : Sharapuddin Sarad Fathers Name: Noorahmad Sarad House Number : 18 Age : 52 Gender : Male</p> <p>Photo Available</p>	<p>898 2 YDX0520346</p> <p>Name : MANJUSHREE VENKATESH PRABHU Fathers Name: VENKATESH PRABHU House Number : 137 Age : 18 Gender : Female</p> <p>Photo Available</p>	<p>899 1 YDX0520429</p> <p>Name : KHUSHI KOMARPANT Fathers Name: SADANAND KOMARPANT House Number : 161 Rukbal Age : 19 Gender : Female</p> <p>Photo Available</p>
<p>900 2 YDX0520783</p> <p>Name : Hussain Nabi Shaikh Fathers Name: Nabi Shaikh House Number : 119 Age : 18 Gender : Male</p> <p>Photo Available</p>	<p>901 1 YDX0520791</p> <p>Name : Franz Barreto Fathers Name: Angelo Maximo Ignacio Barreto House Number : 2/18 Age : 18 Gender : Male</p> <p>Photo Available</p>	<p>902 1 YDX0520809</p> <p>Name : Ginni Kamra Husbands Name: Deepak kamra House Number : F block 306 Age : 37 Gender : Female</p> <p>Photo Available</p>
<p>903 1 YDX0520890</p> <p>Name : Nasya Silva Fathers Name: Mateus Alberto Silva House Number : 130, Age : 19 Gender : Female</p> <p>Photo Available</p>	<p>904 2 YDX0521005</p> <p>Name : Sahana Mohammad Imtiyaz Shekh Fathers Name: Mohammad Imtiyaz Shekh House Number : 180 Age : 18 Gender : Female</p> <p>Photo Available</p>	

SUMMARY OF ELECTORS**A) NUMBER OF ELECTORS**

	Roll Type	Roll Identification	NUMBER OF ELECTORS				
			Male	Female	Third Gender	Total	
I	Mother Roll	Mother Roll	Final Roll of Special Summary Revision 2024 published on 05-01-2024 integrated with Additions, Deletions and Modifications carried out during Continuous Updation 2024 upto 19-04-2024.	428	450	0	878
II	1- List of Additions	Supplement 1	Special Summary Revision 2024	7	5	0	12
		Supplement 2	Continuous Updation (Quarter 2) 2024	6	8	0	14
			Total	13	13	0	26
III	2- List of Deletions	Supplement 1	Special Summary Revision 2024	14	8	0	22
		Supplement 2	Continuous Updation (Quarter 2) 2024	7	3	0	10
			Total	21	11	0	32
IV	Difference due to modification in Gender field			0	0	0	0
Net Elector in this Roll after this Revision (I+II-III+IV)			420	452	0	872	

B) NUMBER OF MODIFICATIONS

Roll Type	Roll Identification	NUMBER OF MODIFICATIONS
Supplement 1	Special Summary Revision 2024	7
Supplement 2	Continuous Updation (Quarter 2)	4



	2024		
	Total	11	

Signature of Electoral Registration Officer

E-Expired S-Shifted/Change of Residence R-Duplicate M-Missing Q-Disqualified